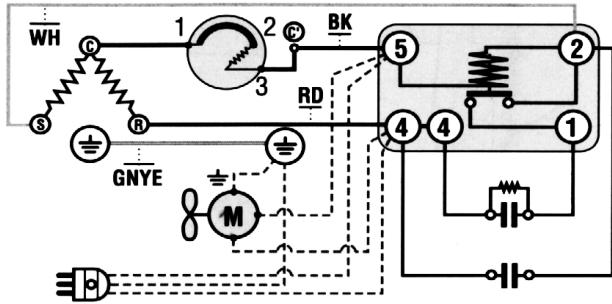


Wiring Diagram



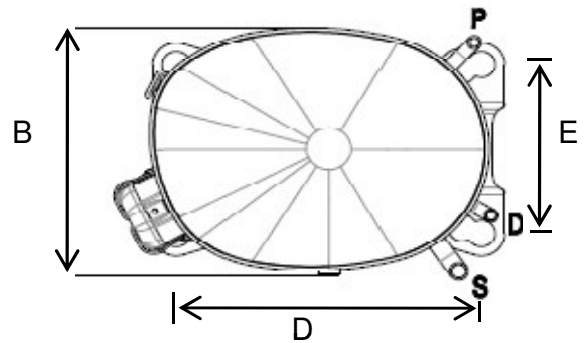
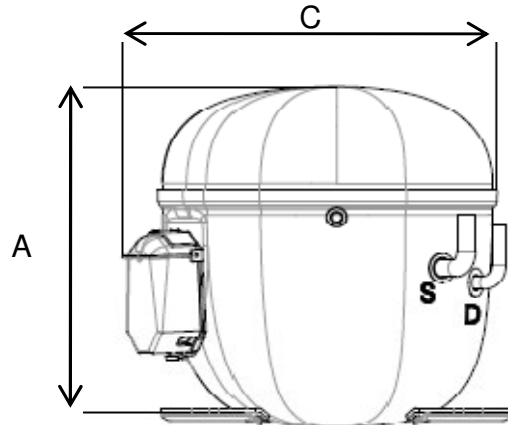
Compressor Terminals

- C = Common
- R = Run
- S = Start

Electrical components are supplied unassembled. Use of components other than specified will void warranty.

Dimensions (inches)

A:8.7" B: 7" C: 10" D: 8" E: 4.8"



Tube Diameter

ID	Inch	MM
process	.378	9.6
suction	.378	9.6
discharge	.253	6.42

Technical Specifications

Rev 10/12

Mechanical Data	English	Metric	Electrical Data	
Bore	1.34 in	34.12 mm	motor: 2 pole - 1 phase	CSCR
Stroke	.75 in	19.03 mm	voltage	115v / 60 Hz
Displacement	1.061 cu. In	17.39 cc	voltage range	103-127v
Speed	3,500 rpm	3,500 rpm	run winding resistance at 25°C	.40 Ω
Weight	37.48 lb	17 kg	start winding resistance at 25°C	2.60 Ω
Oil Charge	15.22 oz.	450 ml	locked rotor current	70 amps

Compressor Cooling:

Fan cooled by forced draft over shell with 6 watt minimum fan.

Restrictor:

Capillary tube or Expansion valve

Capacitor:

Start Cap	243-292 mfd	250v
Run Cap	35 mfd	440v

embraco	NT6222GKV	MBP-HBP	115 V	404A
Specifications Approximate H. P. 1 Starting Torque High Refrigerant 404A Evaporator Temperature Med/High Evaporator Temperature -4° to 50°F			Usage Drinking Water Coolers Dehumidifiers Ice Machines Reach In Refrigerators Beer Coolers	

HBP Performance					
Temperature °F	14	23	32	45	50
Capacity BTU/Hr	5,396	6,625	8,034	10,376	11,393
Power W	1,067	1,173	1,279	1,429	1,487
Current Amps	12.0	12.84	13.71	15.0	15.52
Temperature °C	-10	-5	0	7.2	10
Capacity Kcal/Hr	1,360	1,670	2,025	2,615	2,871

LBP Rating		Rating Point (Bolded above)	HBP Rating	AHSRAE
Condensing	130°F		Condensing	130°F
Evaporator	-10°F		Evaporator	45°F
Return Gas	90°F		Return Gas	95°F
Ambient	90°F		Ambient	95°F
Liquid Temp.	90°F		Liquid Temp.	115°F

Material	Part number	Description	Compressor Cross Ref.	
			Model	Appl.
Compressor	922KG02			
Relay	1253050			
Overload	2291061			
Start Cap	2252331	243-292 mfd / 250v		
Run Cap	2253315	35 mfd / 440v		
Grommet	2221004			
Sleeve	2222016			

EMBRACO NORTH AMERICA