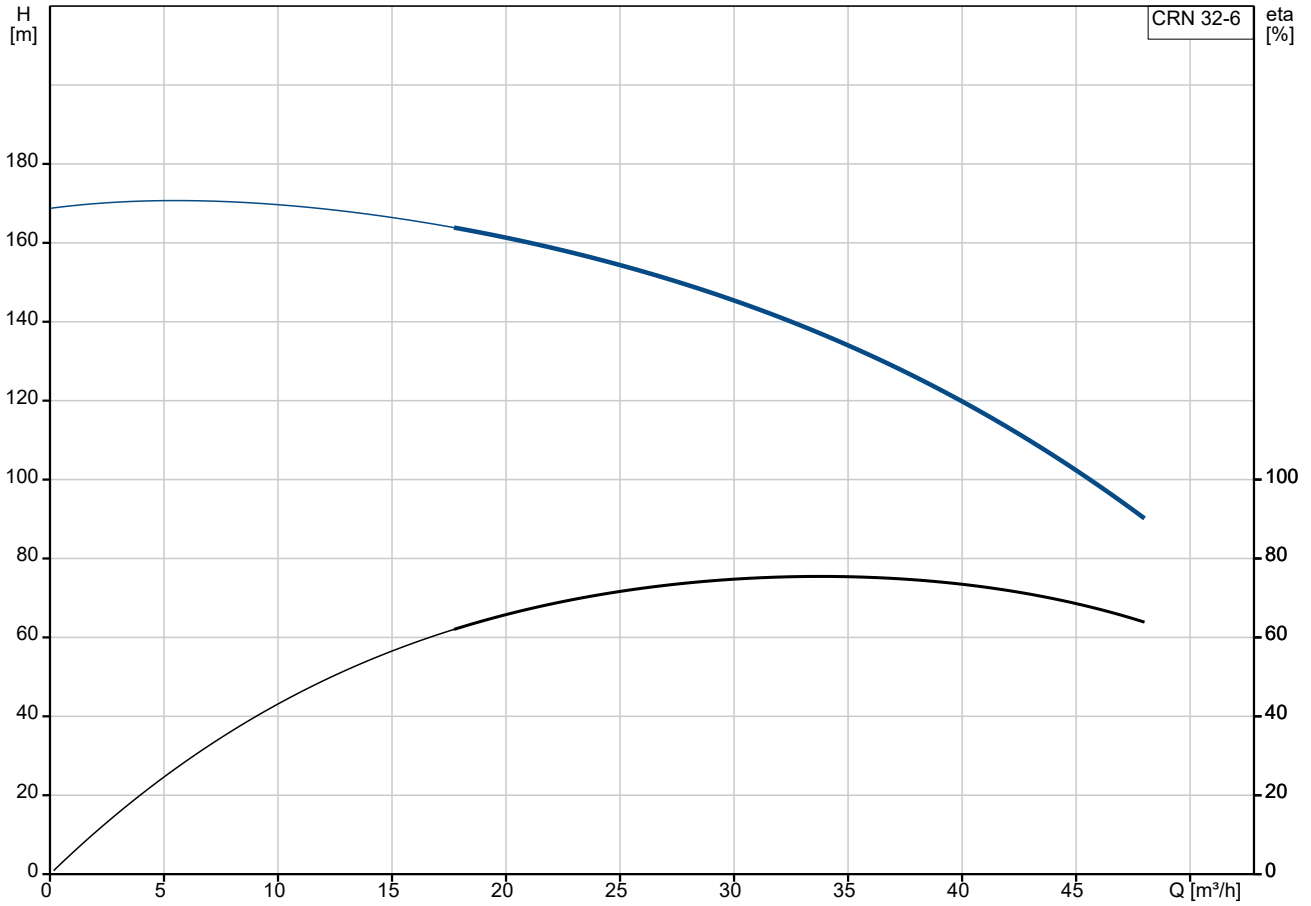
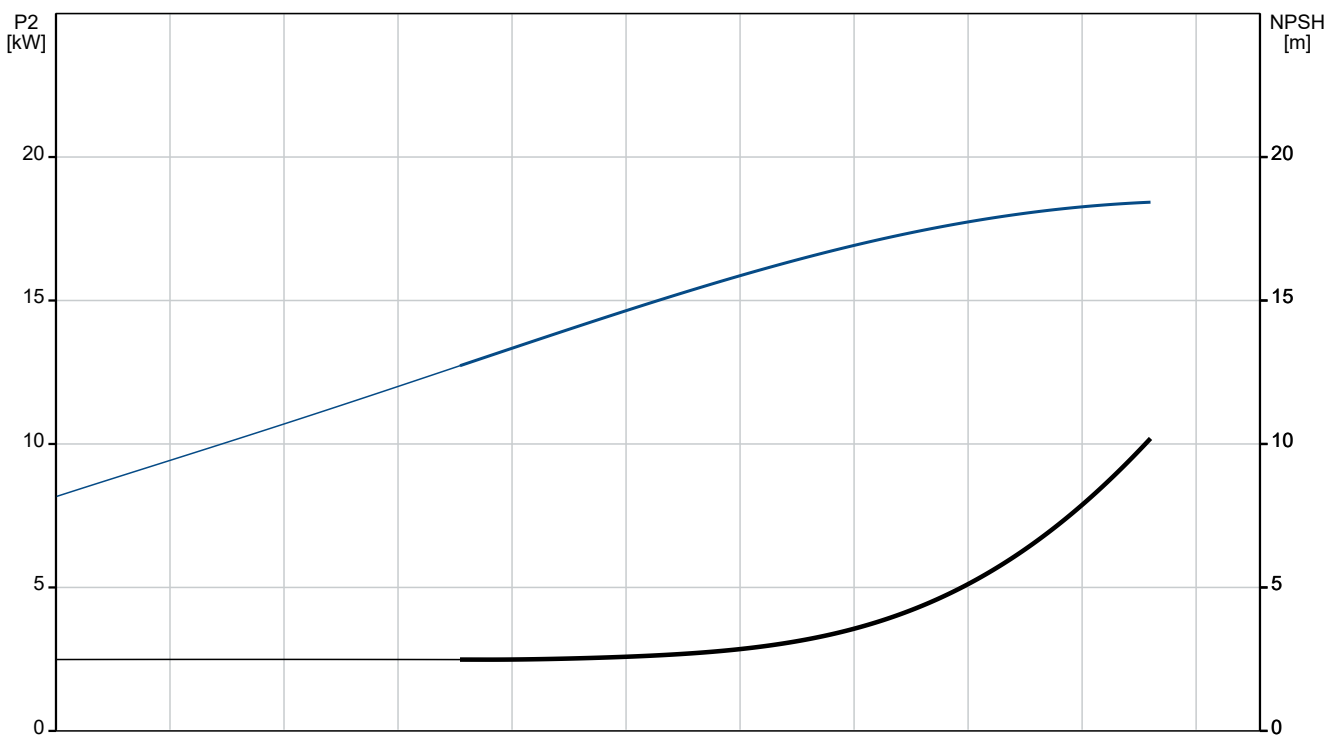


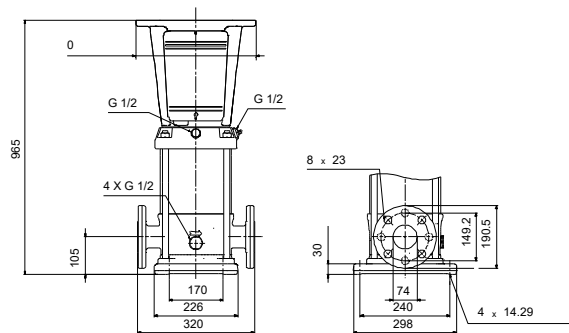
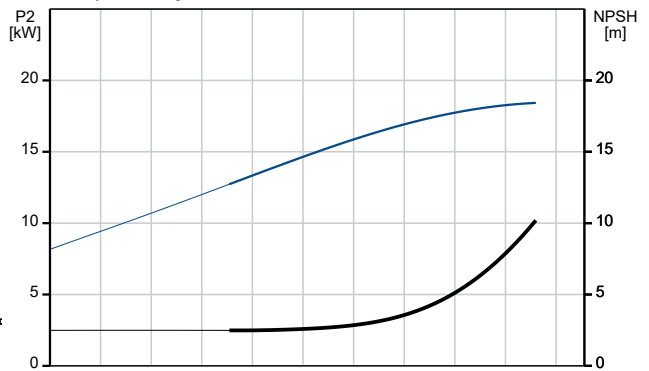
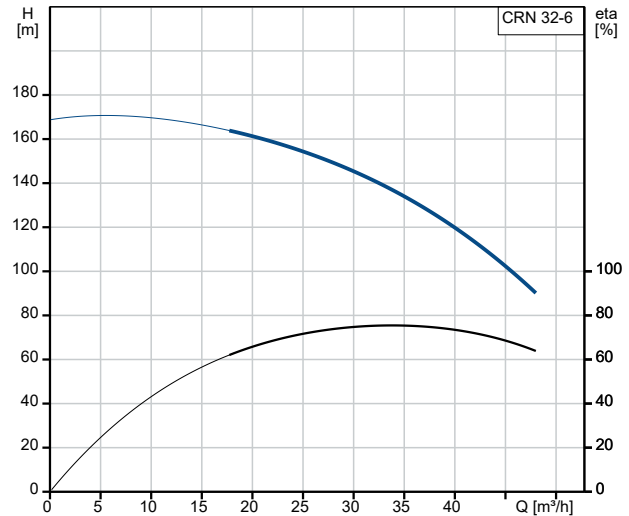
96416388 CRN 32-6 A-G-A-E-HQQE 60 Hz



Pumped liquid = Water
 Liquid temperature during operation = 20 °C
 Density = 998.2 kg/m³



Description	Value
General information:	
Product name:	CRN 32-6 A-G-A-E-HQQE
Product No:	96416388
EAN number:	5700390670160
Technical:	
Pump speed on which pump data are based:	3521 rpm
Rated flow:	36 m ³ /h
Rated head:	130.9 m
Maximum head:	168.7 m
Actual impeller diameter:	118.4 mm
Stages:	6
Impellers:	6
Number of reduced-diameter impellers:	0
Low NPSH:	N
Pump orientation:	Vertical
Shaft seal arrangement:	Single
Code for shaft seal:	HQQE
Approvals:	CE
Approvals for drinking water:	NSF/ANSI 61
Curve tolerance:	ISO9906:2012 3B
Pump version:	A
Model:	B
Materials:	
Base:	Stainless steel
Base:	EN 1.4408
Base:	AISI 316
Impeller:	Stainless steel
Impeller:	EN 1.4401
Impeller:	AISI 316
Material code:	A
Code for rubber:	E
Bearing:	SIC
Support bearing:	Graflon
Installation:	
Maximum operating pressure:	30 bar
Max pressure at stated temp:	30 bar / 120 °C
Max pressure at stated temp:	30 bar / -40 °C
Type of connection:	ANSI
Size of inlet connection:	2 1/2 inch
Size of outlet connection:	2 1/2 inch
Pressure rating for connection:	PN 40
Flange rating inlet:	300 lb
Flange size for motor:	284TC
Connect code:	G
Liquid:	
Pumped liquid:	Water
Liquid temperature range:	-40 .. 120 °C
Selected liquid temperature:	20 °C
Density:	998.2 kg/m ³
Electrical data:	
Motor standard:	NEMA
Power (P2) required by pump:	18.5 kW
Controls:	
Frequency converter:	None
Others:	
DOE Pump Energy Index CL:	0.87





Company name:

Created by:

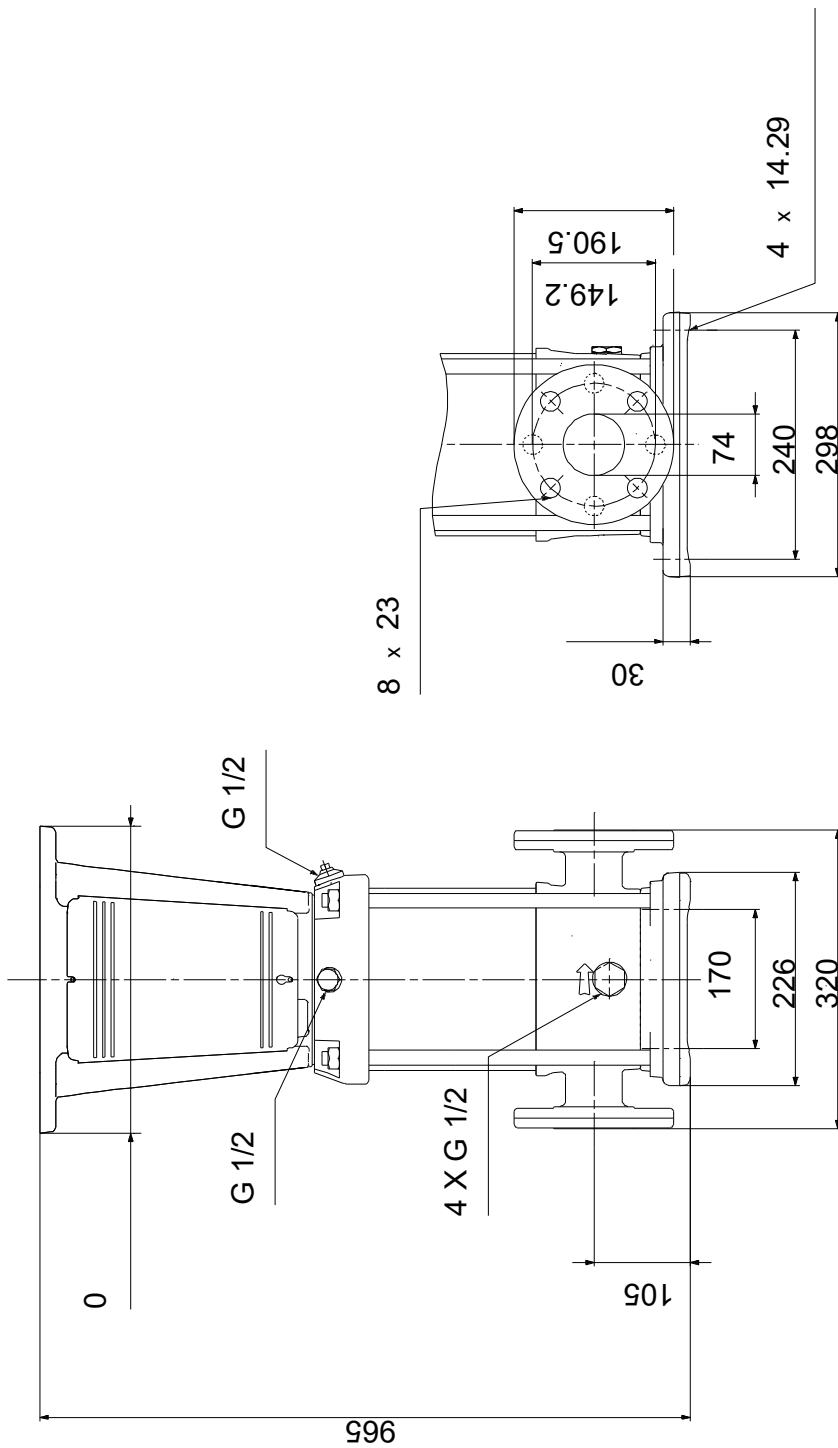
Phone:

Date:

13/01/2024

Description	Value
Net weight:	73.4 kg
Gross weight:	81.5 kg
Shipping volume:	0.309 m ³
Sales region:	namreg

96416388 CRN 32-6 A-G-A-E-HQQE 60 Hz



Note! All units are in [mm] unless others are stated.
Disclaimer: This simplified dimensional drawing does not show all details.