



HVAC MIRAGE

Think smart. Think cool. Think Mirage.

Gentle cool wind



TiTan gold fin



Self cleanliness



VENTUS X
INVERTER



Filter cleaning reminder

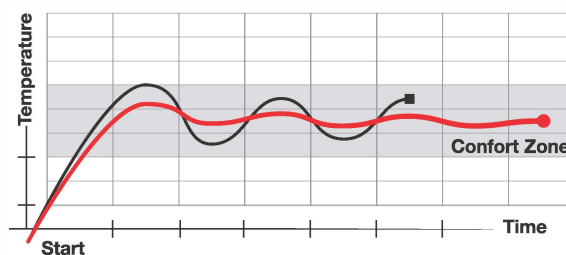


Smart air flow



No screw only buckles

How It Works? Inverter Technology



■ Inverter Technology ● HVAC Mirage Inverter Technology



CONFORMS TO
UL STD. 1995
CERTIFIED TO
CSA STD. C22.2
NO. 236



VENTUSX INVERTER

IVKH090A
OVKH090A

IVKH120A
OVKH120A

IVKH121A
OVKH121A

IVKH181A
OVKH181A

IVKH241A
OVKH241A

IVKH361A
OVKH361A

Type		cooling&heating		cooling&heating		cooling&heating		cooling&heating		cooling&heating		cooling&heating	
Control type		remote		remote		remote		remote		remote		remote	
Power supply		115V~/60Hz/1P		115V~/60Hz/1P		208-230V~/60Hz/1P		230V~/60Hz/1P		230V~/60Hz/1P		230V~/60Hz/1P	
Rated cooling capacity		Btu/h	9000	12000	12000	18000	18000	24000	24000	36000	36000	36000	36000
Rated Heating capacity		Btu/h	9500	12000	12500	19000	19000	24400	24400	36000	36000	36000	36000
SEER		Btu/W.h	20.0	20.0	19.0	19.0	19.0	18.0	18.0	17.0	17.0	17.0	17.0
HSPF Rating (Region IV)		Btu/W.h	10.5	10.0	9.5	10.0	10.0	10.0	10.0	8.5	8.5	8.5	8.5
EER		Btu/W.h	12.0	10.5	10.5	10.0	10.0	9.5	9.5	9.0	9.0	9.0	9.0
COP		W/W	3.4	3.0	3.2	3.0	3.0	3.0	3.0	2.8	2.8	2.8	2.8
Input Consumption	Cooling	W	750.0	1140.0	1140.0	1800.0	1800.0	2520.0	2520.0	4000.0	4000.0	4000.0	4000.0
	Heating	W	810.0	1170.0	1140.0	1850.0	1850.0	2390.0	2390.0	3760.0	3760.0	3760.0	3760.0
Rated Current	Cooling	A	6.7	10.1	5.1	8.0	8.0	11.2	11.2	17.7	17.7	17.7	17.7
	Heating	A	7.3	10.4	5.1	8.3	8.3	10.6	10.6	16.7	16.7	16.7	16.7
Maximum Operation Pressure		PSIG	550	550	550	550	550	550	550	550	550	550	550
Maximum Fuse Size		A	25	30	15	20	20	30	30	20	20	20	20
Indoor noise level at cooling	High/Med/Low		38/35/32	40/37/34	40/37/34	44/39/34	44/39/34	50/46/42	50/46/42	50/46/42	50/46/42	50/46/42	50/46/42
Outdoor noise level		dB(A)	50	52	52	55	55	58	58	58	58	58	58
Connecting Pipe	Gas	inches	3/8"	3/8"	3/8"	3/8"	3/8"	1/2"	1/2"	5/8"	5/8"	5/8"	5/8"
	Liquid	inches	1/4"	1/4"	1/4"	1/4"	1/4"	1/4"	1/4"	1/4"	1/4"	1/4"	1/4"
Net dimensions (W x D x H)	Indoor	inch	31.92x11.49x8.07	31.92x11.49x8.07	31.92x11.49x8.07	39.76x12.40x8.66	39.76x12.40x8.66	46.69x13.38x10.23	46.69x13.38x10.23	46.69x13.38x10.23	46.69x13.38x10.23	46.69x13.38x10.23	46.69x13.38x10.23
	Outdoor	inch	28.66x12.01x21.65	28.66x12.01x21.65	28.14x11.42x19.61	30.70x13.74x23.81	30.70x13.74x23.81	33.26x14.96x27.51	33.26x14.96x27.51	35.43x14.17x31.69	35.43x14.17x31.69	35.43x14.17x31.69	35.43x14.17x31.69
Net weight	Indoor	lbs	19.8	19.8	19.8	28.7	28.7	37.5	37.5	38.6	38.6	38.6	38.6
	Outdoor	lbs	61.3	63.9	59.5	73.8	73.8	99.2	99.2	136.7	136.7	136.7	136.7
Indoor Unit													
Indoor Motor		Motor Model	AC	AC	AC	DC	DC	DC	DC	DC	DC	DC	DC
Indoor air circulation / Hi		CFM	350	380	380	600	600	850	850	850	850	850	850
Outdoor Unit													
Compressor Brand			GMCC	GMCC	GMCC	SANYO	SANYO	SANYO	SANYO	GMCC	GMCC	GMCC	GMCC
Compressor Model		Operation temperature	DC	DC	DC	DC	DC	DC	DC	DC	DC	DC	DC
Outdoor Motor		Motor Brand	Weilling/Broad-Ocean/ SHIBURA	Weilling/Broad-Ocean/ SHIBURA	Weilling/Broad-Ocean/ SHIBURA	Weilling/Broad-Ocean	Weilling/Broad-Ocean	Weilling/Broad-Ocean	Weilling/Broad-Ocean	Weilling/Broad-Ocean	Weilling/Broad-Ocean	Weilling/Broad-Ocean	Weilling/Broad-Ocean
Outdoor Motor		Motor Model	DC	DC	DC	DC	DC	DC	DC	DC	DC	DC	DC
Outdoor air circulation/Hi		CFM	1350	1350	1110	1520	1520	1760	1760	2110	2110	2110	2110
Factory Refrigerant R410a charge		oz	28.57	35.34	34.22	37.74	37.74	50.09	50.09	86.42	86.42	86.42	86.42
Line Set Size		ft	16	16	16	16	16	16	16	16	16	16	16
Maximum Allowed Length		ft	50	50	50	65	65	65	65	98	98	98	98
Maximum Allowed Height		ft	33	33	33	49	49	49	49	65	65	65	65
Operation temperature		°F	61 ~ 88	61 ~ 88	61 ~ 88	61 ~ 88	61 ~ 88	61 ~ 88	61 ~ 88	61 ~ 88	61 ~ 88	61 ~ 88	61 ~ 88
Additional refrigerant Charge		Oz/Ft	0.216	0.216	0.312	0.312	0.312	0.312	0.312	0.312	0.312	0.312	0.312

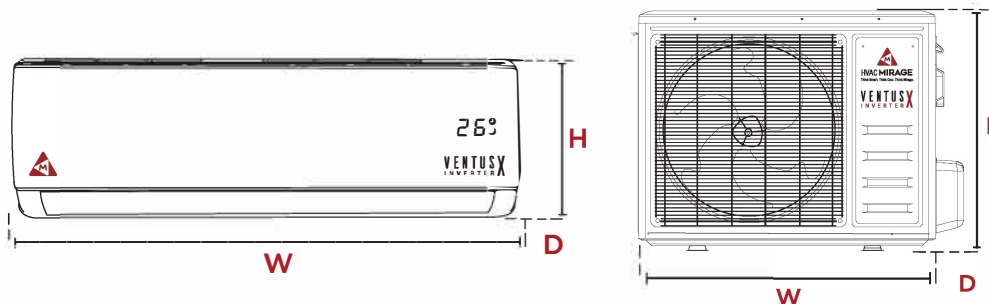
Dimensions

The right size with high technology for your comfort

W-Width

H-High

D-Deep



Energy-saving Operation

10-20 %
Energy-saving efficiency improvement

Safety Design

- No connection between condensate water & electricity.
- Fireproof electric control box.
- Erosion resistance materials.

