



It's Hard To Stop A Trane.®



Beveled Top
Smoother Design
Small compact cabinet
Recessed access handles

Precedent™ Packaged Cooling & Convertible Up to 25 Tons

Standard Features:

- Trane scroll compressors on all 3-5 ton units
- Colored and numbered wiring
- Phase Monitor, R-410A, 3 Phase Units
- Provisions for through the Base Condensate Drain Connections
- Crankcase Heaters
- 2" throwaway filters provided on all units
- Liquid Line Refrigerant Drier
- Operating Charge of R-410A
- IAQ Sloped Drain Pans
- Single point power for Electric Heat
- Low Ambient to 40°F on Electromechanical models
- Low Ambient to 0°F on ReliaTel™ models
- 5 - year Limited Compressor Warranty
- 1 - year Limited Parts Warranty

Added Flexibility

- Electromechanical or ReliaTel™ controls
(See page LPC-9 for ReliaTel™ Control Information)
- Standard or high efficiency cooling models available. 17+ available in 3-5T. For reference to 17+ please refer to publications RT-PRC048-EN and RT-SLB020-EN.
- Convertible airflow (ships in downflow application)
- Fork lift openings on three sides of unit
- Direct or belt drive - standard or oversized motors (Direct for 3-5 ton only)
- We don't prepackage options
- Choose options tailored to suit each job —pay only for what is needed
- Units ship with options installed —and within our standard ship cycle time

Factory Installed Options

- Through-the-Base — Electrical
- Convenience Outlet — Powered or unpowered
- Unit Disconnect Switch
- Smoke Detectors — Supply, return, or both
- Condenser Coil Coating
- Hinged Access Service Panels
- Discharge Air Sensor
- Fan Fail and Clogged Filter Switches
- Condenser Coil Guard — Hail Protection Quality
- Dehumidification Hot Gas Reheat Coil (High Efficiency Units Only)
- Froststat
- TCI (Trane Communications Interface)
- LonTalk® (Communications Interface)
- BACnet™ (Communications Interface)
- 2" Pleated Media filters
- 2" MERV 8 filters or 2" MERV 13 filters
- Multi-Speed & Single Zone VAV ID Airflow
- Demand Control Ventilation
- Stainless Steel Drainpan
- Condensate Drainpan Overflow Switch

The same Trane Quality and Reliability ... with added Flexibility!

For complete equipment / combination selections, installation instructions and warranty information, please refer to Product Data/Ratings and/or Installers Guides and Limited Warranty Handbooks.

LPC-1

Effective 1/1/23
22-8301-36



It's Hard To Stop A Trane.®

Precedent™ Packaged Cooling Convertible 3-5 Tons, R-410A

Table LPC-2-A — Precedent™ 17 Plus — R-410A — ReliaTel™ Controls Only

Tons	Unit Ordering No.	Performance SEER	Cooling Capacity (Btuh)	Cabinet Dimensions (in.) H x W x L	Downflow Supply	Downflow Return	Shipping Weight (lbs.)	MCA**	Max Fuse**
THC - 208-230/3/60 - Three Phase - No Heat									
3	THC037E3R0A005D	17.5	36,500	36 x 44 x 69	18 x 15.5	24 x 14	614	24	30
4	THC047E3R0A005D	17.5	50,500	41 x 53 x 88	33 x 17.5	32 x 17.5	787	30	40
5	THC067E3R0A005D	17.2	60,000	41 x 53 x 88	33 x 17.5	32 x 17.5	841	33	45
THC - 460/3/60 - Three Phase - No Heat									
3	THC037E4R0A005D	17.5	36,500	36 x 44 x 69	18 x 15.5	24 x 14	614	12	15
4	THC047E4R0A005D	17.5	50,500	41 x 53 x 88	33 x 17.5	32 x 17.5	787	14	20
5	THC067E4R0A005D	17.2	60,000	41 x 53 x 88	33 x 17.5	32 x 17.5	841	16	20

005D = Includes Factory-Installed Hail Guards

Table PC-2-B — Base Unit — 15 SEER High Efficiency — R-410A — Electromechanical or ReliaTel™

Tons	Unit Ordering No.	Performance [ⓐ] SEER	Cooling Capacity (Btuh)	Cabinet Dimensions (in.) H x W x L	Downflow Supply	Downflow Return	Shipping Weight (lbs.)	MCA**	Max [ⓐ] Fuse**
THC - 208/3/60 - Three Phase - No Heat									
3	THC036E3*0A005D	15.0	37,600	36 x 44 x 69	18 x 15.5	24 x 14	555	21	30
4	THC048E3*0A005D	15.0	49,930	41 x 53 x 88	33 x 17.5	32 x 17.5	637	26	35
5	THC060E3*0A005D	15.0	61,000	41 x 53 x 88	33 x 17.5	32 x 17.5	869	30	45
THC - 460/3/60 - Three Phase - No Heat									
3	THC036E4*0A005D	15.0	37,600	36 x 44 x 69	18 x 15.5	24 x 14	555	12	15
4	THC048E4*0A005D	15.0	49,930	41 x 53 x 88	33 x 17.5	32 x 17.5	637	13	15
5	THC060E4*0A005D	15.0	61,000	41 x 53 x 88	33 x 17.5	32 x 17.5	869	14	20

Table LPC-2-C — Base Unit — 14 SEER — R-410A — Electromechanical or ReliaTel™

Tons	Unit Ordering No.	Performance SEER	Cooling Capacity (Btuh)	Cabinet Dimensions (in.) H x W x L	Downflow Supply	Downflow Return	Shipping Weight (lbs.)	MCA**	Max Fuse**
TSC - 208-230/3/60 - Three Phase - No Heat									
3	TSC036G3*0A005D	14.0	37,000	41 x 44 x 69	18 x 15.5	24 x 14	537	20	30
4	TSC048G3*0A005D	14.0	49,000	41 x 44 x 69	18 x 15.5	24 x 14	557	26	35
5	TSC060G3*0A005D	14.0	60,000	41 x 44 x 69	18 x 15.5	24 x 14	603	29	40
TSC - 460/3/60 - Three Phase - No Heat									
3	TSC036G4*0A005D	14.0	37,000	41 x 44 x 69	18 x 15.5	24 x 14	537	10	15
4	TSC048G4*0A005D	14.0	49,000	41 x 44 x 69	18 x 15.5	24 x 14	557	11	15
5	TSC060G4*0A005D	14.0	60,000	41 x 44 x 69	18 x 15.5	24 x 14	603	13	15
TSC - 575/3/60 - Three Phase - No Heat									
3	TSC036GW*0A005D	14.0	37,000	41 x 44 x 69	18 x 15.5	24 x 14	537	8	15
4	TSC048GW*0A005D	14.0	49,000	41 x 44 x 69	18 x 15.5	24 x 14	557	24	25
5	TSC060GW*0A005D	14.0	60,000	41 x 44 x 69	18 x 15.5	24 x 14	603	10	15

ⓐ HACR breaker per NEC.

ⓐ SEER applies, 3-5 tons; EER applies 6-10 tons.

* Digit 9 - E = Electromechanical or R = ReliaTel™.

** Information subject to change. Please confirm with current Product Data/Service Facts for current factory production.

Light Commercial Packaged Cooling

For complete equipment / combination selections, installation instructions and warranty information, please refer to Product Data/Ratings and/or Installers Guides and Limited Warranty Handbooks.



Precedent™ Packaged Cooling Convertible 3-5 Tons (Model Digit Numbers)

Digit	Description	Order Number	Digit	Description	Order Number
1-8	Main Assembly (see previous page)		20	Convenience Outlet	
9	Unit Controls			No Convenience Outlet.....0	
	Electro-Mechanical.....E			Unpowered Convenience Outlet.....A	
	ReliaTel™ Micro-processor.....R			Powered Convenience Outlet (3 phase only)③.....B	
10	(See Heater Table below)		21	Communications Options④	
11	Design Sequence	*		No Communications Interface.....0	
				Trane Communications Interface (TCI).....1	
12-13	Service Sequence			LonTalk® Communications Interface (LCI).....2	
	First Sequence (Factory Supplied).....*,*			BACnet™ Communications Interface.....6	
14	Fresh Air Selection		22	Refrigeration System Option	
	No Fresh Air.....0			Standard Refrigeration System.....0	
	0-50% Manual Outside Air Damper⑥.....A			Dehumidification (Hot Gas Reheat Coil)⑥.....B	
	0-50% Motorized Outside Air Damper.....B		23	Refrigeration Controls	
	0-100% Economizer, Dry Bulb without Barometric Relief②.....C			<i>Note: Applicable to Digit 7 = E, F</i>	
	0-100% Economizer, Dry Bulb with Barometric Relief②.....D			No Refrigeration Control.....0	
	0-100% Economizer, Reference Enthalpy			Froststat④.....1	
	without Barometric Relief①②.....E		24	Smoke Detector⑤⑦	
	0-100% Economizer, Reference Enthalpy			No Smoke Detector.....0	
	with Barometric Relief①②.....F			Return Air Smoke Detector⑦.....A	
	0-100% Economizer, Comparative Enthalpy			Supply Air Smoke Detector.....B	
	without Barometric Relief ①②.....G			Supply and Return Air Smoke Detectors⑦.....C	
	0-100% Economizer, Comparative Enthalpy			Plenum Smoke Detector.....D	
	with Barometric Relief ①②.....H		25	Monitoring Controls⑧	
	Low Leak Economizer, Dry Bulb with Barometric Relief.....K			No Monitoring Control⑧.....0	
	Low Leak Economizer, Comparative Enthalpy			Clogged Filter Switch⑧.....1	
	with Barometric Relief.....M			Fan Failure Switch⑧.....2	
	Low Leak Economizer, Reference Enthalpy			Discharge Air Sensing Tube⑧.....3	
	with Barometric Relief.....P			Clogged Filter Switch and Fan Fail Switch⑧.....4	
15	Supply Fan/Drive Type/Motor			Clogged Filter Switch and Discharge Air Sensing Tube⑧.....5	
	Standard Drive.....0			Fan Fail Switch and Discharge Air Sensing Tube⑧.....6	
	Oversized Motor.....1			Clogged Filter and Fan Fail Switches	
	Optional Belt Drive Motor (3 phase only).....2			and Discharge Air Sensing Tube⑧.....7	
	Single Zone VAV.....6			Condensate Drain Pan Overflow Switch.....A	
	Multi-Speed Indoor Fan.....7			Clogged Filter Switch⑧ and Condensate Drain Pan	
	VAV Supply Air Temperature Control Standard Motor.....E			Overflow Switch.....B	
16	Hinged Service Access & Filters			Fan Failure Switch⑧ and Condensate Drain Pan	
	Standard Panels & Filters.....0			Overflow Switch.....C	
	Hinged Access Panels & Standard Filters.....A			Discharge Air Sensing⑧ and Condensate Drain Pan	
	Standard Panels & 2" Pleated Filters MERV 8.....B			Overflow Switch.....D	
	Hinged Access Panels & 2" Pleated Filters MERV 8.....C			Clogged Filter Switch⑧, Fan Failure Switch⑧ and	
	Standard Panels/2" MERV 13 Filters.....D			Condensate Drain Pan Overflow Switch.....E	
	Hinged Access Panels/2" MERV 13 Filters.....E			Clogged Filter Switch⑧, Discharge Air Sensing Tube⑧	
17	Condenser Coil Protection			and Condensate Drain Pan Overflow Switch.....F	
	Standard Coil.....0			Fan Failure Switch, Discharge Air Sensing Tube⑧ and	
	Standard Coil with Hail Guard.....1			Condensate Drain Pan Overflow Switch.....G	
	Black Epoxy Pre-Coated Condenser Coil.....2			Clogged Filter Switch⑧, Fan Failure Switch⑧, Discharge	
	Black Epoxy Pre-Coated Condenser Coil with Hail Guard.....3			Air Sensing⑧ and Condensate Drain Pan Overflow Switch.....H	
	Complete Coat™ Condenser Coil.....4		26	System Monitoring Controls	
	Complete Coat™ Condenser Coil with Hail Guard.....5			No Monitoring Controls.....0	
18	Through the Base Provisions			Demand Control Ventilation (CO ₂)⑩⑪.....A	
	No Through the Base Provisions.....0		27	Unit Hardware Enhancements	
	Through the Base Electric⑨.....A			No Enhancements.....0	
19	Disconnect/Circuit Breaker /Phase Monitor (3 phase only)			Stainless Steel Drain Pan.....1	
	No Disconnect/ Circuit Breaker.....0		31	Advanced Unit Controls	
	Unit Mounted Non-Fused Disconnect⑩.....1			Standard Unit Controls.....0	
	Unit Mounted Circuit Breaker⑩.....2			Human Interface.....1	

Light Commercial
Packaged Cooling

① Enthalpy control not available factory installed with electro-mechanical controls.
 ② Economizer with Barometric Relief is for downflow configured units only. Order Economizer without Barometric Relief for horizontal configuration. Barometric relief for horizontal configured units must be ordered as field installed accessory BAYBARM010A.
 ③ Requires use of Disconnect or Circuit Breaker.
 ④ Froststat cannot be field installed in electro-mechanical units.
 ⑤ Not available with BAYFRST001A High Temperature Stat accessory.
 ⑥ The return air smoke detector may not fit up or work properly on the Convertible units when used in conjunction with 3rd party accessories such as bolt on heat wheels, economizers and power exhaust. Do not order the return air smoke detectors when using this type of accessory.
 ⑦ Return Air Smoke Detector cannot be ordered with Novar Controls.
 ⑧ These options are standard when ordering Novar Controls.
 ⑨ This options for use when ordering Novar Control only.
 ⑩ The manual outside air damper will ship factory supplied within the unit, but must be field installed.
 ⑪ Through the base electric required when ordering disconnect/circuit breaker options.
 ⑫ Not available with electro-mechanical unit controls.
 ⑬ Novar Sensor utilized with digit 21 = (4) Novar 3051 Controls without Zone Sensor.
 ⑭ Available for T/Y 10 ton standard efficiency models only.
 ⑮ Available for T/Y 3, 4, 5, 6, 7½, 8½ ton standard/high efficiency models only.
 ⑯ Requires selection of 2" Pleated Filters (option B or C) for Digit 16.
 ⑰ Not available on 6 ton units and all single phase or standard efficiency.
 ⑱ Standard on T/YSC 6, 7½ (single and dual systems), 8½, 10 ton standard efficiency models and T/YHC 4, 5, 6, 7½ ton high efficiency models (except for dehumidification models).
 ⑲ Epoxy coil and epoxy with hailguard options are not available for units with microchannel condenser coil.
 ⑳ Single Zone VAV is only available on 7.5-10 ton high efficiency and 10 ton standard efficiency products with ReliaTel™ controls.
 ㉑ Multi-speed indoor fan available only on 7.5 & 8.5 ton high efficiency, and 10 ton products with ReliaTel™ controls.
 ㉒ Motorized Outside Air Damper is not available on Multi-Speed or SZVAV (Single Zone Variable Air Volume) products.
 ㉓ Froststat standard on Multi-Speed and SZVAV (Single Zone Variable Air Volume) products.
 ㉔ Novar is not available with SZVAV products.
 ㉕ Demand Control Ventilation not available with electromechanical controls.
 ㉖ Demand Control Ventilation Option includes wiring only. The CO₂ sensor is a field-installed only option.
 ㉗ When ordering Dehumidification option, Digit #7 will revert back to E, not F.



It's Hard To Stop A Trane.®

Precedent™ Packaged Cooling Convertible 3-5 Tons (Model Digit Numbers)

Heaters (Digit 10)

kW Rating	Digit	Nominal BTUH	No. Stages	Used With
208/240/3/60				
4.5/6.0	(B)	13,400/20,500	1	T*C036-060*3
9.0/12.0	(E)	30,800/59,400	2	T*C036-060*3
13.1/17.4	(G)	44,600/59,400	2	T*C036-060*3
17.2/23.0	(J)	58,900/78,500	2	T*C060*3
460/3/60				
6.0	(B)	20,500	1	T*C036-060*4
12.0	(E)	41,000	2	T*C036-060*4
17.4	(G)	59,400	2	T*C036-060*4
23.0	(J)	78,500	2	T*C060*4
575/3/60				
6.0	(B)	20,500	1	TSC036-060*W
12.0	(E)	41,000	2	TSC036-060*W
17.4	(G)	59,400	2	TSC036-060*W
23.0	(J)	78,500	2	T*C060*W

Digit 15 Selection Details

Digit 15 = 0

Standard Efficiency

3 Phase (3 to 5 Ton) = Multispeed Direct Drive Motor

High Efficiency

3 Phase (3 to 5 ton) = High Efficiency Multispeed Direct Drive Motor

3 Phase (3 to 5 ton w/Dehumidification) = Belt Drive Motor

Digit 15 = 2

Standard Efficiency

3 Phase = Not Available

High Efficiency

1 Phase = Not Available

Light Commercial
Packaged Cooling



It's Hard To Stop A Trane.®

Precedent™ Packaged Cooling Convertible 3-5 Tons, R-410A Electric Heaters

Table LPC-5-A — Accessory Electric Heaters – Unit with Heater is single circuit / single point power entry (3-5 Ton units)

Model Number	Power Supply	kW Rating	Nominal BTUH	No. Stages	Used With
BAYHTRE306*	208-230/3/60	4.5/6.0	13,400/20,500	1	THC036E3 THC037E3, TSC036G-060G3
BAYHTRE312*	208-230/3/60	9.0/12.0	30,800/41,000	2	THC036E3 THC037E3, TSC036G-060G3
BAYHTRE318*	208-230/3/60	13.0/17.4	44,600/59,400	2	THC036E3 THC037E3, TSC036G-060G3
BAYHTRE323*	208-230/3/60	17.3/23.0	44,600/59,400	2	TSC060G3
BAYHTRE406*	460/3/60	6	20500	1	THC036E4 THC037E4, TSC036G-060G4
BAYHTRE412*	460/3/60	12	41000	2	THC036E4 THC037E4, TSC036G-060G4
BAYHTRE418*	460/3/60	17.4	59400	2	THC036E4 THC037E4, TSC036G-060G4
BAYHTRE423*	460/3/60	17.3/23.0	59400	2	TSC060G4
BAYHTREW06*	575/3/60	6	20500	1	TSC036G-060GW
BAYHTREW12*	575/3/60	12	41000	2	TSC036G-060GW
BAYHTREW18*	575/3/60	17.4	59400	2	TSC036G-060GW
BAYHTREW23*	575/3/60	17.3/23.0	59400	2	TSC060GW
BAYHTRX312*	208-230/3/60	9.0/12.0	30,800/41,000	2	THC047-067E3, THC048-060E3, THC048-048F3
BAYHTRX318*	208-230/3/60	13.0/17.4	44,600/59,400	2	THC047-067E3, THC048-060E3, THC048-048F3
BAYHTRX323*	208-230/3/60	17.3/23.0	59,000/78,500	2	THC067E3, THC060E3, THC060F3
BAYHTRX406*	460/3/60	6	20500	1	THC047-067E4, THC048-060E4, THC048-048F4
BAYHTRX412*	460/3/60	12	41000	2	THC047-067E4, THC048-060E4, THC048-048F4
BAYHTRX418*	460/3/60	18	59400	2	THC047-067E4, THC048-060E4, THC048-048F4
BAYHTRX423*	460/3/60	23	78500	2	THC067E4, THC060E4, THC060F4

(*) - Parts designator subject to change



It's Hard To Stop A Trane.®

Precedent™ Packaged Cooling Convertible 3-5 Tons Accessories

Table LPC-6-A – Accessories

Model Number	Description	Used With
BAYABRD001*	ReliaTel™ Options Module	All Precedents (ReliaTel™) See Note⑥
BAYASCT001	Anti-Short-Cycle Timer	All Precedents (Electro Mechanical)
BAYBARM010*④	Barometric Relief	THC036-060*, THC036E, THC037
BAYBARM011*④	Barometric Relief	THC048*-067*
BAYBCIR200*	BACnet™ Communication Interface	ReliaTel™ Controller (BCI-R)
BAYCO2K001*③⑥	CO ₂ Sensor Kit, Wall Mounted	All CV AND MZVAV
BAYCO2K003*③⑥	CO ₂ Sensor Kit, Duct Mounted	All CV AND MZVAV
BAYCO2K101*	Wall Mounted	All Precedent 2 Speed and SZVAV
BAYCO2K103*	Duct Mounted	All Precedent 2 Speed and SZVAV
BAYCURB042 / FIACURB401*②	Roof Curb	TSC036-060, THC036, THC037
BAYCURB043 / FIACURB402*②	Roof Curb	THC048-067
BAYDMPR053*	0-50% Manual Outside Air Damper	TSC036-060, THC036, THC037
BAYDMPR056*	0-50% Manual Outside Air Damper	THC047-067
BAYDMPR051*	0-50% Motorized Outside Air Damper	TSC036-060, THC036, THC037 (ReliaTel™)
BAYDMPR052*	0-50% Motorized Outside Air Damper	TSC036-060, THC036 (Electro Mechanical)
BAYDMPR054*	0-50% Motorized Outside Air Damper	THC047-120 (ReliaTel™)
BAYDMPR055*	0-50% Motorized Outside Air Damper	THC047-120 (Electro Mechanical)
BAYECON085*③	0-100% Dry Bulb Economizer without Barometric Relief ...	TSC036-060, THC036, THC037 (ReliaTel™)
BAYECON086*③	0-100% Dry Bulb Economizer without Barometric Relief ...	TSC036-060, THC036 (Electro Mechanical)
BAYECON087*③	0-100% Dry Bulb Economizer without Barometric Relief ...	THC047-120 (ReliaTel™)
BAYECON088*③	0-100% Dry Bulb Economizer without Barometric Relief ...	THC048-120 (Electro Mechanical)
BAYECON704*	Downflow Low Leak Economizer	THC047-067 (ReliaTel™)
BAYECON705*	Downflow Low Leak Economizer	TSC036-060, THC036, THC037 (ReliaTel™)
BAYENTH300*	Reference Enthalpy Kit (Solid State)	BAYECON086A, 088A (Electro-Mechanical)
BAYENTH301*	Comparative Enthalpy Kit (Solid State)	BAYECON086A, 088A (Electro-Mechanical)
BAYENTH005*①	Reference Enthalpy Kit	BAYECON085A, 087A (ReliaTel™)
BAYENTH006*①	Comparative Enthalpy Kit	BAYECON086A, 087A (ReliaTel™)
BAYFRST003*③⑥	High Temperature Stat	All Precedents

- ① Kits contain all necessary parts to achieve desired level of enthalpy control.
- ② Lynn Haven Manufacturing has a No-Return policy for this roof curb.
- ③ For use with ReliaTel™ controlled units only.
- ④ Barometric Relief accessory installs in ductwork for horizontal configuration. For downflow configuration, installs in the unit's horizontal return duct. See Installer's Guide for complete instructions.
- ⑤ BAYABRD001C is required when ordering field installed accessories Clogged Filter Switch (BAYDFPS003*), Fan Fail Switch (BAYDFPS004*), Discharge Air Sensing Kit (BAYTUBE004*) or Evaporator Defrost Control (Frostat) (BAYLOAM020*) Ventilation Override Kit (BAYVNOR001*) unless the following options are factory installed: Frostat, Smoke Detector, Clogged Filter Switch, Fan Failure Switch, Discharge Air Sensing Kit. These factory installed options include the ReliaTel™ Options Module.
- ⑥ For use with electromechanical controlled units only.
- ⑦ Activated on Power On.
- ⑧ Field installed accessory requires economizer.
- ⑨ The manual outside air damper will ship factory supplied within the unit, but must be field installed.
- (*) Parts designator subject to change

Light Commercial
Packaged Cooling

For complete equipment / combination selections, installation instructions and warranty information, please refer to Product Data/Ratings and/or Installers Guides and Limited Warranty Handbooks.



It's Hard To Stop A Trane.®

Precedent™ Packaged Cooling Convertible 3-5 Tons Accessories

Table LPC-7-A — Accessories

Model Number	Description	Used With
BAYGARD037C	Condenser Coil Hail Guard	THC036, THC037
BAYGARD040C	Condenser Coil Hail Guard	TSC072-090, THC047-067
BAYGARD137A	Condenser Coil Hail Guard	TSC036-060
BAYICSI003A ^{③⑥}	Trane Communications Interface (TCI)	All Precedents (ReliaTel™)
BAYLMSW001A ^⑩	Power Exhaust Limit Switch	All Precedents
BAYLOAM020B ^{①③④}	Evaporator Defrost Control (Frostat)	THC036 (ReliaTel™)
BAYLOAM120A	Evaporator Defrost Control (Frostat)	TSC036-060 (ReliaTel™)
BAYLSDR006B	Low Static Drive Kit: 3-5T High Efficiency	THC036-060
BAYPWRX026A	Power Exhaust (208-230/3 VAC)	THC047-067*3
BAYPWRX027A	Power Exhaust (460/3 VAC)	THC047-067*4
BAYPWRX028A	Power Exhaust (575/3 VAC)	THC047-067*W
BAYPWRX070A	Power Exhaust (208-230/3 VAC)	TSC036-060*3, THC036*3, THC037*3
BAYPWRX071A	Power Exhaust (460/3 VAC)	TSC036-060*4, THC036*4, THC037*4
BAYPWRX072A	Power Exhaust (575/3 VAC)	TSC036-060*W
BAYQACB009A ^{②⑤}	Quick Adapt Roof Curb	THC047-067
BAYQACB010A ^{②⑤}	Quick Adapt Roof Curb	THC047-067
BAYQACB011A ^{②⑦}	Quick Adapt Roof Curb	THC047-067
BAYQACB012A ^{②⑦}	Quick Adapt Roof Curb	TSC072-120, THC047-102
BAYQACB013 / FIAQACB027 ^{②⑦}	Quick Adapt Roof Curb	TSC072-120, THC047-102
BAYQACB114 / FIAQACB044 ^{②⑩}	Quick Adapt Roof Curb	THC048-067H
BAYQACB115A ^{②⑩}	Quick Adapt Roof Curb	THC048-067H
BAYRTEM001A ^⑩	Fully Featured ReliaTel™ Economizer Logic Model	All Precedents
BAYSTAT023 ^③	Remote Potentiometer	All Precedents
BAYSERV001A ^③	Selective Resistance Service Tester	All Precedents
BAYSENS016A ^③	Temperature Sensor	All Precedents
BAYSENS250A ^{③⑩}	CO2 Duct Mounted, Sensor Only	All Precedents (ReliaTel™)
BAYSENS251A ^{③⑩}	CO2 Wall Mounted, Sensor Only	All Precedents (ReliaTel™)
BAYTUBE005A	Discharge Air Sensing Kit	THC036-037**R
BAYTUBE007A	Discharge Air Sensing Kit	TSC072-102**R, THC047-072**R
BAYTUBE105A	Discharge Air Sensing Kit	TSC036-060**R
BAYVNOR001B ^{③④⑨}	Ventilation Override Kit w/ReliaTel™ options module	All Precedents

- ① For ReliaTel™ microprocessor controlled units only. Must be factory installed for electromechanical controlled units.
- ② Lynn Haven Manufacturing has a No-Return policy for this roof curb.
- ③ For use with ReliaTel™ controlled units only.
- ④ BAYABRD001* is required when ordering field installed accessories Clogged Filter Switch (BAYDFPS003*), Fan Fail Switch (BAYDFPS004*), Discharge Air Sensing Kit (BAYTUBE004*) or Evaporator Defrost Control (Frostat) (BAYLOAM020*) Ventilation Override Kit (BAYVNOR001*) unless the following options are factory installed: Frostat, Smoke Detector, Clogged Filter Switch, Fan Failure Switch, Discharge Air Sensing Kit. These factory installed options include the ReliaTel™ Options Module.
- ⑤ BAYQACB009* adapts Voyager BAYCURB021* to accept Precedent™ 3-5 ton unit. BAYQACB010* adapts Voyager BAYCURB022* to accept Precedent™ unit.
- ⑥ Cannot be used in conjunction with Barometric Relief. Order Economizer without Barometric Relief.
- ⑦ BAYQACB012* adapts Voyager BAYCURB025* to accept Precedent™ 6-10 ton unit. BAYQACB013* adapts Voyager BAYCURB026* to accept Precedent™ 6-10 ton unit.
- ⑧ Interface allows a unit with ReliaTel™ Controls to communicate with Tracer 100, Tracker, VariTrac II, and is the preferred method of communication to Tracer Summit.
- ⑨ Field installed accessory requires economizer.
- ⑩ When ordering a field installed power exhaust on a unit with electromechanical controls, BAYLMSW001* must be ordered.
- ⑪ If any version of comparative or reference enthalpy is ordered, BAYRTEM001A does not need to be ordered.
- ⑫ Order only when unit has factory installed Demand Control Ventilation option.
- ⑬ Precedent E cabinet to Precedent D cabinet (BAYCURB044 to BAYCURB043)
- ⑭ Precedent B cabinet to Precedent C cabinet (BAYCURB042 to BAYCURB043)

Light Commercial
Packaged Cooling



It's Hard To Stop A Trane.®

Precedent™ Packaged Cooling Convertible 3-5 Tons, R-410A Zone Sensors / Thermostats

Table LPC-8-A – Zone Sensors for ReliaTel™ Controlled Units

Model Number	Description	Used With
BAYSENS036A2	Wall-Mounted Humidity Zone Sensor	T*C036-067_R (with Reheat)
BAYSENS037A2	Duct-Mounted Humidity Zone Sensor	T*C036-067_R (with Reheat)
BAYSENS073A1	Room Sensor w/ Override and Cancel Buttons	T*036-067*R
BAYSENS074A1	Room Sensor w/ Temp. Adjustment with Override and Cancel Buttons	T*036-067*R
BAYSENS077A	Remote Room Sensor	BAYSENS106A,108A,110A,119A, BAYSTAT150, 152, 155
BAYSENS106A	Zone Sensor, Single Setpoint Manual Changeover	T*C036-067_R
BAYSENS108A	Dual Setpoint Manual or Auto Changeover	T*C036-067_R
BAYSENS110A	Dual Setpoint Man. or Auto Changeover with System Function Lights	T*C036-067_R
BAYSENS119A	Programmable Night Setback w/System Function Lights	T*C036-067_R
BAYSENS135A	Digital Display Zone Sensor	T*C036-067_R
BAYSENS050A3	Wireless Zone Sensor	T*C036-067_R
BAYSENS924A	Title 24 Zone Sensor ^①	T*C036-067_R
BAYMTPL110A	Retrofit Wall Cover from Horizontal to Vertical	T*C036-067_R

- ① Used with Integrated Comfort™ Systems, any unit type. These sensors do not work with TCM. Consult BASD Marketing for them.
 - ② For use with ReliaTel™ Controls only.
 - ③ Kit comes with everything required for installing and operation.
 - ④ Must be used with ReliaTel™ Control and BCI Communications Interface
- *Either standard or high efficiency models.

Table LPC-8-B – Thermostats – Electromechanical

Model Number	Description	Used With
BAYSTAT150A	2H/2C Digital Display Programmable Thermostat	T*C036-067*E
BAYSTAT152A	3H/2C Programmable Touchscreen Thermostat	T*C036-067*E
BAYSTAT155A	3H/2C Digital Display Thermostat	T*C036-067*E
BAYSTAT170A	Duct Mounted Return Air Sensor	BAYSTAT152A

Light Commercial
Packaged Cooling



It's Hard To Stop A Trane.®

ReliaTel™ Controls for Precedent™ Packaged Unit Protection/Operation Timings and Features

Alternating Lead/Lag – Dual Compressor Models Only –
During periods of part load operation, each compressor cycles alternately as circuit number one, equalizing compressor wear and run time. Enabled by cutting the wire (BLUE) at (RTRM) junction number J3-8. **Standard**

Anti Short Cycle Timer (ASCT) Function – Provides a three (3) minute minimum “ON” time and a three (3) minute minimum “OFF” time for compressors, enhances compressor reliability by ensuring proper oil return. **Standard**

Built In Evaporator Defrost Control (EDC) Function –
Provides low ambient cooling down to 0°F. **Standard**

Built In Fan Delay Relay (FDR) Function – Provides custom indoor fan timing sequences for the different types of equipment, enhancing efficiency and reliability. **Standard**

Built In Night Set Back and Unoccupied Functions① – When using a standard dual setpoint/auto change over Zone Sensor Module (ZSM), this function is enabled by applying a short across terminal J6-11 and J6-12. Sets cooling setpoint up a minimum of 7°F, sets heating setpoint back a minimum of 7°F, forces outside air damper (if present) minimum position to zero, and forces fan operation to automatic. **Accessory (requires time clock accessory or field supplied/installed switch or contacts).**

Built In “TEST” Mode – Aids in quick verification of system and control operation, exercises both hardware and software (no special tools required). **Standard**

Built In Unoccupied Mode① – When using a standard single setpoint/manual change over Zone Sensor Module (ZSM), this function is enabled by applying a short across terminal J6-11 and J6-12. Forces outside air damper (if present) minimum position to zero, forces fan operation to automatic. **Accessory (requires time clock accessory or field supplied/installed switch or contacts).**

Direct Digital Control (DDC)① – Proportional Integral (PI) control. Proportional – sets corrective action proportional to deviation from setpoint. Integral – fine tunes the rate of corrective action proportional to the error (results in superior space temperature control). **Standard**

Economizer Preferred Cooling① – Provides fully integrated operation if required. Will not turn on a compressor with the economizer, if the space is recovering adequately with the economizer alone (0.2°F/minute). Allows the equipment to be utilized in more varied applications. **Standard with economizer accessory.**

Emergency Stop Terminals On Low Voltage Terminal Board (LTB-5 and LTB-6) – Provides a convenient point to disable the equipment completely, and immediately. Still provides communication to BAS. **Standard**

Heat Pump Smart Recovery and Smart Staging① – Inhibits auxiliary heat operation if the space is recovering adequately (0.1°F/minute) with the heat pump alone, providing considerable savings in operating costs. **Standard**

Heat Pump Soft Start – Provides a smooth transition into heating after defrost, minimizing noise and compressor stress associated with switch over. **Standard**

Increased Reliability – Fewer components (moving electro-mechanical parts), less likelihood of equipment down time or failure. **Standard**

Integral Electric Heat Staging① – Stages electric heaters “OFF” and “ON”, eliminating the use of outdated sequencers. **Standard**

Intelligent Fallback① – A built in Default Control provides adaptive operation, which allows the equipment to continue to operate, providing comfort in the event of certain component failures. Also, allows emergency operation without a Zone Sensor Module (ZSM). **Standard**

Low Ambient Start Timer (LAST) Function – Bypasses low pressure control when a compressor starts, eliminating nuisance compressor lock outs. **Standard**

Lower Installation Cost – Using a standard Zone Sensor Module (ZSM), control voltage wiring may be run up to five (5) times further than any electromechanical system, with no increase in wire gauge. Example: Electromechanical System – 30 feet maximum using 22 gauge wire. Micro Control System – 150 feet using 22 gauge wire. **Standard**

On Board Diagnostics① – Assist with equipment troubleshooting, if a problem occurrence should take place. **Standard**

Remote Sensing① – All standard Zone Sensor Modules (ZSMs) have remote sensing capabilities, typically achieved by using an expensive program-mable thermostat and remote sensor with electromechanical equipment. **Accessory (requires use of remote sensor).**

Selectable Economizer Dry Bulb Change Over – Allows the capability of selecting the following dry bulb change over points: 63, 67, 70 or 73°F. **Standard with economizer accessory.**

Space Temperature Averaging① – All standard Zone Sensor Modules (ZSMs) have space temperature averaging capabilities, typically achieved by using an expensive programmable thermostat and minimum of four (4) remote sensors with electromechanical equipment. **Averaging with ReliaTel™ can be achieved with two (2) sensors.**

Supply Air Tempering① – A built in feature, once enabled only through an ICS device, may also be enabled using a digital or programmable Zone Sensor Module. When in the HEAT mode (and not actively heating), if supply air temperature drops 10°F below the heating setpoint, heat is turned on until supply air temperature rises to a point 10°F above the heating setpoint. Provides temperate air during the “OFF” cycle, and eliminates cold air dumping from supply ducts. Extremely effective when introducing any quantity of fresh air. **Standard when using a RTOM, ICS device, digital, or programmable Zone Sensor Module.**

Time Delay Relay (TDR) Function – Provides an incremental staging delay between compressors, minimizes equipment current inrush and consumption by keeping compressors from starting simultaneously. **Standard**

Low Pressure and High Pressure Compressor Lockout – 3 trips will lockout control.

① Denotes features lost from utilizing standard conventional stat.



It's Hard To Stop A Trane.®

Precedent™ Packaged Cooling with Symbio™ Convertible 6-25 Tons



Small compact cabinet
Recessed access handles

Standard Features:

- Symbio 700 controller
- MultiSpeed Indoor
- Manifolded scroll compressors
- 6-17.5 tons = 3 stages of cooling; 20-25 tons = 4 stages of cooling
- Microchannel condenser and evaporator coils
- Colored, keyed, and numbered wiring
- Froststat
- Phase monitor
- Coil/Hailguards
- Crankcase heaters on all compressors
- 2" filters
- Backward curved direct drive plenum supply fan
- Liquid line refrigerant drier
- Operating Charge of R-410A
- Composite dual sloped drain pans
- Single point power for electric heat
- Low Ambient cooling to 40°F
- 5 - year Limited Compressor Warranty
- 3 - year Limited Parts Warranty

Added Flexibility

- Standard or high efficiency cooling models available.
- Convertible airflow (ships in downflow application)
- 2" filters included
- Fork lift openings on three sides of unit
- Choose options tailored to suit each job — pay only for what is needed
- Units ship with options installed — and within our standard ship cycle time

Factory Installed Options

- Outdoor air dampers (manual or motorized)
- Economizers (Base or Low Leak)
- Dry Bulb, Reference Enthalpy, Comparative Enthalpy, or Differential Dry Bulb economizer control options
- Multiple electric heat solutions
- Through-the-Base — Electrical
- Convenience Outlet — Powered or unpowered
- Unit Disconnect Switch
- Smoke Detectors — Supply, return, or both
- Condenser Coil Coating
- Hinged Access Service Panels
- Discharge Air Sensor
- Low Ambient cooling to 0°F
- Clogged Filter Switch
- Dehumidification (Modulating Hot Gas Reheat)
- Symbio 700 BACnet® communication interface license
- Symbio 700 LonTalk® communication interface license
- 2" MERV 8 filters or 2" MERV 13 filters
- Single Zone or Multiple Zone VAV Indoor Airflow
- Demand Control Ventilation
- Stainless Steel Drainpan
- Condensate Drainpan Overflow Switch



It's Hard To Stop A Trane.®

Precedent™ Packaged Cooling with Symbio™ Convertible 6 - 25 Tons, High Efficiency R-410A

Table LPC-11-A — Precedent™ High Efficiency — R-410A — Symbio

Tons	Unit Ordering No.	Performance IEER(2-speed)/EER	Net Cooling Capacity (Btuh)	Cabinet Dimensions (in.) H x W x L	Cabinet	Shipping Weight (lbs.)	MCA**	Max Fuse**
THJ - 208-230/3/60 - Three Phase - No Heat								
6	THJ072A3S000000	16.0/12.3	73,000	50 ⁷ / ₈ x 53 ¹ / ₄ x 88 ¹ / ₈	B	1007	38	50
7.5	THJ090A3S000000	16.8/12.3	91,000	50 ⁷ / ₈ x 53 ¹ / ₄ x 88 ¹ / ₈	B	1011	42	50
8.5	THJ102A3S000000	16.8/12.3	104,000	50 ⁷ / ₈ x 53 ¹ / ₄ x 88 ¹ / ₈	B	1027	48	60
10	THJ120A3S000000	15.5/11.7	122,000	50 ⁷ / ₈ x 53 ¹ / ₄ x 88 ¹ / ₈	B	107	54	70
12.5	THJ150A3S000000	15.3/11.1	155,000	50 ⁷ / ₈ x 63 ³ / ₈ x 99 ⁵ / ₈	C	1412	64	90
15	THJ180A3S000000	17.6/12.1	185,000	59 x 87 x 123	D	2040	78	100
17.5	THJ210A3S000000	15.8/11.7	214,000	59 x 87 x 123	D	2070	93	110
20	THJ240A3S000000	16.5/11.0	246,000	59 x 87 x 123	D	2140	108	125
25	THJ300A3S000000	15.8/10.7	281,000	59 x 87 x 123	D	2190	119	150
THJ - 460/3/60 - Three Phase - No Heat								
6	THJ072A4S000000	16.0/12.3	73,000	50 ⁷ / ₈ x 53 ¹ / ₄ x 88 ¹ / ₈	B	1007	18	20
7.5	THJ090A4S000000	16.8/12.3	91,000	50 ⁷ / ₈ x 53 ¹ / ₄ x 88 ¹ / ₈	B	1011	21	25
8.5	THJ102A4S000000	16.8/12.3	104,000	50 ⁷ / ₈ x 53 ¹ / ₄ x 88 ¹ / ₈	B	1027	25	30
10	THJ120A4S000000	15.5/11.7	122,000	50 ⁷ / ₈ x 53 ¹ / ₄ x 88 ¹ / ₈	B	107	29	40
12.5	THJ150A4S000000	15.3/11.1	155,000	50 ⁷ / ₈ x 63 ³ / ₈ x 99 ⁵ / ₈	C	1412	33	45
15	THJ180A4S000000	17.6/12.1	185,000	59 x 87 x 123	D	2040	41	50
17.5	THJ210A4S000000	15.8/11.7	214,000	59 x 87 x 123	D	2070	49	60
20	THJ240A4S000000	16.5/11.0	246,000	59 x 87 x 123	D	2140	54	70
25	THJ300A4S000000	15.8/10.7	281,000	59 x 87 x 123	D	2190	59	80
THJ - 575/3/60 - Three Phase - No Heat								
6	THJ072AWS000000	16.0/12.3	73,000	50 ⁷ / ₈ x 53 ¹ / ₄ x 88 ¹ / ₈	B	1007	15	15
7.5	THJ090AWS000000	16.8/12.3	91,000	50 ⁷ / ₈ x 53 ¹ / ₄ x 88 ¹ / ₈	B	1011	17	20
8.5	THJ102AWS000000	16.8/12.3	104,000	50 ⁷ / ₈ x 53 ¹ / ₄ x 88 ¹ / ₈	B	1027	29	40
10	THJ120AWS000000	15.5/11.7	122,000	50 ⁷ / ₈ x 53 ¹ / ₄ x 88 ¹ / ₈	B	107	22	30
12.5	THJ150AWS000000	15.3/11.1	155,000	50 ⁷ / ₈ x 63 ³ / ₈ x 99 ⁵ / ₈	C	1412	26	35
15	THJ180AWS000000	17.6/12.1	185,000	59 x 87 x 123	D	2040	32	40
17.5	THJ210AWS000000	15.8/11.7	214,000	59 x 87 x 123	D	2070	37	50
20	THJ240AWS000000	16.5/11.0	246,000	59 x 87 x 123	D	2140	47	60
25	THJ300AWS000000	15.8/10.7	281,000	59 x 87 x 123	D	2190	46	60

0000 = Includes Factory-Installed Hail Guards and Multi-Speed Motor

** Information subject to change. Please confirm with current product catalog Or IOM for current factory production.

Light Commercial
Packaged Cooling



It's Hard To Stop A Trane.®

Precedent™ Packaged Cooling with Symbio™ Convertible 6 - 25 Tons, R-410A

Table LPC-12-A – Base Unit – Standard Efficiency – R-410A – Symbio

Tons	Unit Ordering No.	Performance IEER(2-speed)/EER	Net Cooling Capacity (Btuh)	Cabinet Dimensions (in.) H x W x L	Cabinet	Shipping Weight (lbs.)	MCA**	Max Fuse**
TSJ – 208-230/3/60 – Three Phase – No Heat								
6	TSJ072A3S000000	14.8/11.2	72,000	50 ⁷ / ₈ x 53 ¹ / ₄ x 88 ¹ / ₈	B	1007	38	50
7.5	TSJ090A3S000000	14.8/11.2	90,000	50 ⁷ / ₈ x 53 ¹ / ₄ x 88 ¹ / ₈	B	1011	42	50
8.5	TSJ102A3S000000	14.8/11.2	102,000	50 ⁷ / ₈ x 53 ¹ / ₄ x 88 ¹ / ₈	B	1027	48	60
10	TSJ120A3S000000	14.8/11.2	120,000	50 ⁷ / ₈ x 53 ¹ / ₄ x 88 ¹ / ₈	B	107	54	70
12.5	TSJ150A3S000000	14.2/11.0	150,000	50 ⁷ / ₈ x 63 ¹ / ₈ x 99 ⁵ / ₈	C	1412	64	90
15	TSJ180A3S000000	14.2/11.0	182,000	59 x 87 x 123	D	2040	78	100
17.5	TSJ210A3S000000	14.2/11.0	210,000	59 x 87 x 123	D	2070	93	110
20	TSJ240A3S000000	13.2/10.0	240,000	59 x 87 x 123	D	2140	108	125
25	TSJ300A3S000000	13.2/10.0	271,000	59 x 87 x 123	D	2190	119	150
TSJ – 460/3/60 – Three Phase – No Heat								
6	TSJ072A4S000000	14.8/11.2	72,000	50 ⁷ / ₈ x 53 ¹ / ₄ x 88 ¹ / ₈	B	1007	18	20
7.5	TSJ090A4S000000	14.8/11.2	90,000	50 ⁷ / ₈ x 53 ¹ / ₄ x 88 ¹ / ₈	B	1011	21	25
8.5	TSJ102A4S000000	14.8/11.2	102,000	50 ⁷ / ₈ x 53 ¹ / ₄ x 88 ¹ / ₈	B	1027	25	30
10	TSJ120A4S000000	14.8/11.2	120,000	50 ⁷ / ₈ x 53 ¹ / ₄ x 88 ¹ / ₈	B	107	29	40
12.5	TSJ150A4S000000	14.2/11.0	150,000	50 ⁷ / ₈ x 63 ¹ / ₈ x 99 ⁵ / ₈	C	1412	33	45
15	TSJ180A4S000000	14.2/11.0	182,000	59 x 87 x 123	D	2040	41	50
17.5	TSJ210A4S000000	14.2/11.0	210,000	59 x 87 x 123	D	2070	49	60
20	TSJ240A4S000000	13.2/10.0	240,000	59 x 87 x 123	D	2140	54	70
25	TSJ300A4S000000	13.2/10.0	271,000	59 x 87 x 123	D	2190	59	80
TSJ – 575/3/60 – Three Phase – No Heat								
6	TSJ072AWS000000	14.8/11.2	72,000	50 ⁷ / ₈ x 53 ¹ / ₄ x 88 ¹ / ₈	B	1007	15	15
7.5	TSJ090AWS000000	14.8/11.2	90,000	50 ⁷ / ₈ x 53 ¹ / ₄ x 88 ¹ / ₈	B	1011	17	20
8.5	TSJ102AWS000000	14.8/11.2	102,000	50 ⁷ / ₈ x 53 ¹ / ₄ x 88 ¹ / ₈	B	1027	29	40
10	TSJ120AWS000000	14.8/11.2	120,000	50 ⁷ / ₈ x 53 ¹ / ₄ x 88 ¹ / ₈	B	107	22	30
12.5	TSJ150AWS000000	14.2/11.0	150,000	50 ⁷ / ₈ x 63 ¹ / ₈ x 99 ⁵ / ₈	C	1412	26	35
15	TSJ180AWS000000	14.2/11.0	182,000	59 x 87 x 123	D	2040	32	40
17.5	TSJ210AWS000000	14.2/11.0	210,000	59 x 87 x 123	D	2070	37	50
20	TSJ240AWS000000	13.2/10.0	240,000	59 x 87 x 123	D	2140	47	60
25	TSJ300AWS000000	13.2/10.0	271,000	59 x 87 x 123	D	2190	46	60

0000 = Includes Factory-Installed Hail Guards and Multi-Speed Motor

** Information subject to change. Please confirm with current product catalog Or IOM for current factory production.

Light Commercial
Packaged Cooling



Precedent™ Packaged Cooling with Symbio Convertible 6-25 Tons (Model Digit Numbers)

Digit	Description	Order Number	Digit	Description	Order Number
1	Unit Function		16	Hinged Service Access & Filters	
	DX Cooling.....	T		Standard Panels/Standard Filters.....	0
2	Cooling Efficiency			Hinged Access Panels/Standard Filters.....	A
	Standard Efficiency.....	S		Standard Panels/2" MERV 8 Filters.....	B
	High Efficiency.....	H		Hinged Access Panels/2" MERV 8 Filters.....	C
3	Refrigerant			Standard Panels/2" MERV 13 Filters.....	D
	R-410A.....	J		Hinged Access Panels/2" MERV 13 Filters.....	E
4,5,6	Nominal Gross Cooling Capacity (MBh)		17	Condenser Coil Protection	
	6 Ton.....	072		Standard Coil.....	0
	7.5 Ton.....	090		Condenser with CompleteCoat™.....	1
	8.5 Ton.....	102	18	Through the Base Provisions	
	10 Ton.....	120		No Through-the-Base-Provisions.....	0
	12.5 Ton.....	150		Through-the-Base Electric.....	A
	15 Ton.....	180	19	Disconnect/Circuit Breaker (3 phase only)	
	17.5 Ton.....	210		No Disconnect/Circuit Breaker.....	0
	20 Ton.....	240		Unit Mounted/Non-Fused Disconnect.....	1
	25 Ton.....	300		Unit Mounted Circuit Breaker.....	2
7	Design Sequence		20	Convenience Outlet	
		*		No Convenience Outlet.....	0
8	Voltage			Unpowered 20A Convenience Outlet.....	A
	208-230/60/3.....	3		Powered 15A Convenience Outlet (3 phase only).....	B
	460/60/3.....	4	21	Communications Options	
	575/60/3.....	W		No Communications Interface.....	0
9	Unit Controls			Advanced Controller with BACnet® Communications Interface.....	1
	Symbio 700.....	S		Advanced Controller with LonTalk® Communications Interface.....	2
10	Heat Type			Advanced Controller with Air-Fi® Communications Interface.....	3
	Base Model (None or Electric).....	0	22	Refrigeration System Option	
11	Heating Capacity			Standard Refrigeration System.....	0
	No Heat.....	0		Dehumidification Option ①②.....	A
	9 kW Electric Heat.....	C	23	Controls Expansion Module	
	18 kW Electric Heat.....	G		None.....	0
	27 kW Electric Heat.....	K		XM-30 Expansion Module.....	1
	36 kW Electric Heat.....	N		XM-32 Expansion Module.....	2
	54 kW Electric Heat.....	P		XM-30 and XM-32 Expansion Module.....	3
	72 kW Electric Heat.....	R		XM-30 Expansion Module (Qty 2).....	4
12-13	Service Sequence			XM-32 Expansion Module (Qty 2).....	5
	Factory Supplied.....	*,*	24	Smoke Detector	
14	Fresh Air Selection			No Smoke Detector.....	0
	No Fresh Air.....	0		Return Air Smoke Detector2.....	A
	Manual Outside Air Damper 0-50%.....	A		Supply Air Smoke Detector1.....	B
	Motorized Outside Air Damper 0-50%.....	B		Supply and Return Air Smoke Detectors ①②.....	C
	Economizer, Dry Bulb 0-100% without Barometric Relief②.....	C	25	System Monitoring Controls	
	Economizer, Dry Bulb 0-100% with Barometric Relief②.....	D		No Monitoring Control.....	0
	Economizer, Reference Enthalpy 0-100% without Barometric Relief②.....	E		Clogged Filter Switch2.....	1
	Economizer, Reference Enthalpy 0-100% with Barometric Relief②.....	F		Condensate Overflow Switch①.....	2
	Economizer, Comparative Enthalpy 0-100% without Barometric Relief②.....	G		Discharge Air Sensing Tube.....	3
	Economizer, Comparative Enthalpy 0-100% with Barometric Relief②.....	H		Clogged Filter Switch and Condensate Overflow Switch②③.....	4
	Downflow Low Leak Economizer, Dry Bulb with Barometric Relief②.....	K		Clogged Filter Switch and Discharge Air Sensing Tube②.....	5
	Downflow Low Leak Economizer, Reference Enthalpy with Barometric Relief②.....	M		Condensate Overflow Switch and Discharge Air Sensing Tube①.....	6
	Downflow Low Leak Economizer, Comparative Enthalpy with Barometric Relief②.....	P		Clogged Filter Switch, Condensate Overflow Switch and Discharge Air Sensing Tube①②.....	7
	Downflow Low Leak Economizer, Differential Dry Bulb with Barometric Relief②.....	R	26	Not Used	
15	Supply Fan/Drive Type/Motor		27	Hardware Enhancements	
	Standard Drive.....	0		No Enhancements.....	0
	Optional Oversized/High Static Motor.....	1		Stainless Steel Drain Pan.....	1
	Single Zone Variable Air Volume (SZVAV) with Standard Motor.....	2	28	Short Circuit Current Rating	
	Single Zone Variable Air Volume (SZVAV) with Oversized/High Static Motor.....	3		Standard (5k) SCCR Marking.....	0
	Multiple Zone Variable Air Volume (MZVAV) with Standard Motor.....	4		Tier 2 (=65K) SCCR Marking.....	A
	Multiple Zone Variable Air Volume (MZVAV) with Oversized/High Static Motor.....	5	29	Low Ambient4	
				None.....	0
				Low Ambient Cooling to 0°F.....	A

① Includes Symbio Indoor Module.
 ② Includes Symbio Fresh Air Module.
 ③ Includes Symbio Customer Connection Module.
 ④ Standard Low Ambient Cooling Limit is 40°F.

Light Commercial Packaged Cooling



It's Hard To Stop A Trane.®

Precedent™ Packaged Cooling with Symbio Convertible 6-25 Tons, R-410A Electric Heaters

Table LPC-14-A – Accessory – Electric Heaters

Model Number	Power Supply	kW Rating	Nominal BTUH	No. Stages	Used With Cabinet	Used With
FIAEHTB309*①	208-230/3/60	6.8/9	23,203/30,709	1	B	TSJ/THJ072A3-102A3
FIAEHTB318*①	208-230/3/60	13.5/18	46,064/61,419	1	B	TSJ/THJ072A3-120A3
FIAEHTB327*①	208-230/3/60	20.3/27	69,266/92,128	2	B	TSJ/THJ072A3-120A3
FIAEHTB336*①	208-230/3/60	27/36	92,128/122,837	2	B	TSJ/THJ072A3-120A3
FIAEHTB354*①	208-230/3/60	40.6/54	138,533/184,256	2	B	TSJ/THJ120A3
FIAEHTC318*①	208-230/3/60	13.5/18	46,064/61,419	1	C	TSJ/THJ150A3
FIAEHTC327*①	208-230/3/60	20.3/27	69,266/92,128	2	C	TSJ/THJ150A3
FIAEHTC336*①	208-230/3/60	27/36	92,128/122,837	2	C	TSJ/THJ150A3
FIAEHTC354*①	208-230/3/60	40.6/54	138,533/184,256	2	C	TSJ/THJ150A3
FIAEHTD318*①	208-230/3/60	13.5/18	46,064/61,419	1	D	TSJ/THJ180A3
FIAEHTD336*①	208-230/3/60	27/36	92,128/122,837	2	D	TSJ/THJ180A3-300A3
FIAEHTD354*①	208-230/3/60	40.6/54	138,533/184,256	2	D	TSJ/THJ180A3-300A3
FIAEHTD372*①	208-230/3/60	54/72	184,256/245,674	2	D	TSJ/THJ210A3-300A3
FIAEHTB409*①	460/3/60	9	30,709	1	B	TSJ/THJ072A4-102A4
FIAEHTB418*①	460/3/60	18	61,419	1	B	TSJ/THJ072A4-120A4
FIAEHTB427*①	460/3/60	27	92,128	2	B	TSJ/THJ072A4-120A4
FIAEHTB436*①	460/3/60	36	122,837	2	B	TSJ/THJ072A4-120A4
FIAEHTB454*①	460/3/60	54	184,256	2	B	TSJ/THJ120A4
FIAEHTC418*①	460/3/60	18	61,419	1	C	TSJ/THJ150A4
FIAEHTC427*①	460/3/60	27	92,128	2	C	TSJ/THJ150A4
FIAEHTC436*①	460/3/60	36	122,837	2	C	TSJ/THJ150A4
FIAEHTC454*①	460/3/60	54	184,256	2	C	TSJ/THJ150A4
FIAEHTD418*①	460/3/60	18	61,419	1	D	TSJ/THJ180A4
FIAEHTD436*①	460/3/60	36	122,837	2	D	TSJ/THJ180A4-300A4
FIAEHTD454*①	460/3/60	54	184,256	2	D	TSJ/THJ180A4-300A4
FIAEHTD472*①	460/3/60	72	245,674	2	D	TSJ/THJ210A4-300A4
FIAEHTBW09*①	575/3/60	9	30,709	1	B	TSJ/THJ072AW-102AW
FIAEHTBW18*①	575/3/60	18	61,419	1	B	TSJ/THJ072AW-120AW
FIAEHTBW27*①	575/3/60	27	92,128	2	B	TSJ/THJ072AW-120AW
FIAEHTBW36*①	575/3/60	36	122,837	2	B	TSJ/THJ072AW-120AW
FIAEHTBW54*①	575/3/60	54	184,256	2	B	TSJ/THJ120AW
FIAEHTCW18*①	575/3/60	18	61,419	1	C	TSJ/THJ150AW
FIAEHTCW27*①	575/3/60	27	92,128	2	C	TSJ/THJ150AW
FIAEHTCW36*①	575/3/60	36	122,837	2	C	TSJ/THJ150AW
FIAEHTCW54*①	575/3/60	54	184,256	2	C	TSJ/THJ150AW
FIAEHTDW18*①	575/3/60	18	61,419	1	D	TSJ/THJ180AW
FIAEHTDW36*①	575/3/60	36	122,837	2	D	TSJ/THJ180AW-300AW
FIAEHTDW54*①	575/3/60	54	184,256	2	D	TSJ/THJ180AW-300AW
FIAEHTDW72*①	575/3/60	72	245,674	2	D	TSJ/THJ210AW-300AW

① Requires Symbio™ Indoor Options Module (FIAOPTN001*) for field installed. Factory installed includes indoor option module.

(*) Parts designator subject to change

Light Commercial
Packaged Cooling



It's Hard To Stop A Trane.®

Precedent™ Packaged Cooling with Symbio Convertible 6-25 Tons, R-410A Accessories

Table LPC-15-A – Accessories

Model Number	Description	Used With Cabinets	Used With
FIABARM002*	Barometric Relief	B/C	TSJ/THJ072A-150A
FIABARM003*	Barometric Relief	D	TSJ/THJ180-300A
FIAC02K001*	CO2 (DCV) Wall Mounted Sensor	ALL	TSJ/THJ072A-300A
FIAC02K002*	CO2 (DCV) Duct Mounted Sensor	ALL	TSJ/THJ072A-300A
FIACURB402*	14-inch Full Perimeter Knockdown Curb	B	TSJ/THJ072A-120A
FIACURB403*	14-inch Full Perimeter Knockdown Curb	C	TSJ/THJ150A
FIACURB404*	14-inch Full Perimeter Knockdown Curb	D	TSJ/THJ180A-300A
FIACLFS001* ^②	Clogged Filter Switch	B/C	TSJ/THJ072A-150A
FIACLFS002* ^②	Clogged Filter Switch (MERV13)	B/C	TSJ/THJ072A-150A
FIACLFS003* ^②	Clogged Filter Switch	D	TSJ/THJ180A-300A
FIACLFS004* ^②	Clogged Filter Switch (MERV13)	D	TSJ/THJ180A-300A
FIADAST003*	Discharge Air Sensing Tube Kit T/W Models	B	TSJ/THJ072A-120A
FIADAST005*	Discharge Air Sensing Tube Kit T/W Models	C	TSJ/THJ150A
FIADAST008*	Discharge Air Sensing Tube Kit T/W Models	D	TSJ/THJ180A-300A
FIADFDB001* ^②	Differential Dry Bulb Economizer Control	ALL	TSJ/THJ072A-300A
FIADMPR002*	Manual Damper	B/C	TSJ/THJ072A-150A
FIADMPR003*	Manual Damper	D	TSJ/THJ180A-300A
FIADMPR102*	Motorized Damper	B/C	TSJ/THJ072A-150A
FIADMPR103*	Motorized Damper	D	TSJ/THJ180A-300A
FIAECON002* ^②	Dry Bulb Economizer	B/C	TSJ/THJ072A-150A
FIAECON102* ^②	Dry Bulb Downflow Low Leak	B/C	TSJ/THJ072A-150A
FIAECON003* ^②	Dry Bulb Downflow Economizer	D	TSJ/THJ180A-300A
FIAECON303* ^②	Dry Bulb Horizontal Economizer	D	TSJ/THJ180A-300A
FIAECON103* ^②	Dry Bulb Downflow Low Leak	D	TSJ/THJ180A-300A
FIAECON203* ^②	Dry Bulb Horizontal Low Leak	D	TSJ/THJ180A-300A
FIAENTH001*	Reference Enthalpy Economizer Control	ALL	TSJ/THJ072A-300A
FIAENTH002*	Comparative Enthalpy Economizer Control	ALL	TSJ/THJ072A-300A
FIAHTST001*	High Temperature (Fire) Duct Mounted Stat	ALL	TSJ/THJ072A-300A
FIAHZDC001*	Horizontal Conversion Panel	D	TSJ/THJ180A-300A
FIALOAM001*	Low Ambient	ALL	TSJ/THJ072A-300A
FIALTCI001*	LonTalk Communication Interface	ALL	TSJ/THJ072A-300A
FIAOPTN001*	Indoor Options Module	ALL	TSJ/THJ072A-300A
FIAOPTN002*	Fresh Air Options Module	ALL	TSJ/THJ072A-300A
FIAOVFL001* ^①	Condensate Overflow Switch	ALL	TSJ/THJ072A-300A
FIAPWRX302*	Power Exhaust 230V	B/C	TSJ/THJ072A3-150A3
FIAPWRX402*	Power Exhaust 460V	B/C	TSJ/THJ072A4-150A4
FIAPWRXW02*	Power Exhaust 575V	B/C	TSJ/THJ072AW-150AW
FIAPWRX303*	Power Exhaust 230V	D	TSJ/THJ180A3-300A3
FIAPWRX403*	Power Exhaust 460V	D	TSJ/THJ180A4-300A4
FIAPWRXW03*	Power Exhaust 575V	D	TSJ/THJ180AW-300AW
FIAQACB026*	Adapter Curb, Existing BAYCURB026 to New C Cabinet (FIACURB403A)	C	TSJ/THJ150A
FIAQACB027*	Adapter Curb, Existing BAYCURB027 to New C Cabinet (BAYCURB403A)	C	TSJ/THJ150A
FIAQACB044*	Adapter Curb, Existing BAYCURB044 to New B Cabinet (BAYCURB402A)	B	TSJ/THJ072A-120A
FIASCCM001* ^{③④}	Symbio Customer Connection Module	ALL	TSJ/THJ072A-300A
FIAXMOD030* ^{④⑤}	Symbio 700 XM30 Expansion Module	ALL	TSJ/THJ072A-300A
FIAXMOD032* ^{④⑤}	Symbio 700 XM32 Expansion Module	ALL	TSJ/THJ072A-300A

- ① Requires Symbio™ Indoor Options Module.
- ② Requires Symbio™ Fresh Air Options Module.
- ③ Provides Ventilation Override, External Auto/Stop, Alarm Indicator, Remote Min Position.
- ④ Requires Symbio™ Advanced Controller (digit 21=1 or 3).
- ⑤ Requires Tracer TU and Utilizes TGP2 Software (programming knowledge required).
- (*) Parts designator subject to change

Light Commercial Packaged Cooling

For complete equipment / combination selections, installation instructions and warranty information, please refer to Product Data/Ratings and/or Installers Guides and Limited Warranty Handbooks.



Foundation™ Packaged Cooling 3-5 Tons, R-410A



- Scroll compressors on all units
- Operating Charge of R-410A
- Low ambient operation of 40°F as standard
- Color coded and numbered wiring
- Single side service access
- Provisions for through the base connections
- Phase monitor on all units
- Convertible airflow on all units
- Non-corrosive drain pan
- Separate high and low voltage areas in control box
- 5-year limited compressor and heat exchanger warranty

Table LPC-16-A — Foundation™ - R-410A - Electromechanical Controls

Tons	Unit Model No	Power Supply Volts/Phase/Hz	Performance SEER	Cooling Capacity (Btuh)	Dimensions (in.) H x W x L	Shipping Weight (lbs.)	MCA**	Max Fuse Size or Max Circuit Breaker**	Downflow Roofcurb ^①
GBC - Three Phase No Heat									
3	EBC036A3E0B0000	208-230/3/60	14.0	36,000	42 ⁵ / ₈ x 48 x 76 ⁷ / ₈	523	19.5	25	BAYCURB320
4	EBC048A3E0B0000	208-230/3/60	14.0	48,000	42 ⁵ / ₈ x 48 x 76 ⁷ / ₈	566	23.6	35	BAYCURB320
5	EBC060A3E0B0000	208-230/3/60	14.0	57,500	42 ⁵ / ₈ x 48 x 76 ⁷ / ₈	586	26.4	40	BAYCURB320
3	EBC036A4E0B0000	460/3/60	14.0	36,000	42 ⁵ / ₈ x 48 x 76 ⁷ / ₈	523	10.5	15	BAYCURB320
4	EBC048A4E0B0000	460/3/60	14.0	48,000	42 ⁵ / ₈ x 48 x 76 ⁷ / ₈	566	11	15	BAYCURB320
5	EBC060A4E0B0000	460/3/60	14.0	57,500	42 ⁵ / ₈ x 48 x 76 ⁷ / ₈	586	12.9	20	BAYCURB320
3	EBC036AWE0B0000	575/3/60	14.0	36,000	42 ⁵ / ₈ x 48 x 76 ⁷ / ₈	523	6.8	15	BAYCURB320
4	EBC048AWE0B0000	575/3/60	14.0	48,000	42 ⁵ / ₈ x 48 x 76 ⁷ / ₈	566	8.1	15	BAYCURB320
5	EBC060AWE0B0000	575/3/60	14.0	57,500	42 ⁵ / ₈ x 48 x 76 ⁷ / ₈	586	9.2	15	BAYCURB320

0000 = Includes no Factory-Installed Features; Does Not Include Factory-Installed Hail Guards or Multi-Speed Motor

① For Downflow units only.

** Information subject to change. Please confirm with current Product Data/Service Facts for current factory production.

Foundation 3-5 Ton EBC units replace the following Carrier units without need for a curb adapter
50DJ 004-006
50GJ 006
50HC 004-006
50HE 004-006
50HJ 004-006
50KC 004-006
50LC 004-006
50LJ 004-006
50TC 004-006
50TFF 004-006
50TJ 004-006
50TM 004-006

Light Commercial Packaged Cooling



It's Hard To Stop A Trane.®

Foundation™ Packaged Cooling 3-5 Tons, R-410A (Model Digit Numbers)

Digit	Description	Order Number	Digit	Description	Order Number
1	Unit Function		15	Supply Fan/Drive Type/Motor	
	Packaged Cooling, Electric Heat	E		Multi-Speed Standard Motor.....	7
2	Efficiency			Multi-Speed Oversized Motor	9
	Generation B.....	B	16	Access	
	Generation C - DOE.....	C		Standard Fork Access	0
3	Airflow Configuration			Third Side Condenser Fork Access (15-25 Tons)	F
	Convertible.....	C	17	Condenser Coil Protection	
4,5,6	Nominal Gross Cooling Capacity (MBh)			Standard Coil	0
	3 Ton.....	036		Condenser with CompleteCoat™	4
	4 Ton.....	048	18	Through the Base Provisions	
	5 Ton.....	060		No Through-the-Base-Provisions	0
	15 Ton.....	180		Through-the-Base Electric	A
	17.5 Ton.....	210	19	Disconnect/Circuit Breake (3 phase only)	
	20 Ton.....	240		No Disconnect/Circuit Breaker	0
	25 Ton.....	300		Unit Mounted/Non-Fused Disconnect®	1
7	Design Sequence	*	20-24	Not Used	
8	Voltage			No Convenience Outlet	0000
	208-230/60/3	3	25	System Monitoring Controls 1	
	460/60/3	4		No Monitoring Controls	0
	575/60/3	W		Condensate Drain Pan Overflow Switch.....	A
9	Unit Controls		26	System Monitoring Controls 2	
	Electromechanical	E		Economizer Fault Detection and Diagnostics (FDD)®	B
10	Heating Capacity				
	No Heat	0			
	5 kW Electric Heat	A			
	7.5 kW Electric Heat	B			
	10 kW Electric Heat	C			
	14.4 kW Electric Heat	D			
	20 kW Electric Heat	E			
	25 kW Electric Heat	F			
	18 kW Electric Heat	G			
	36 kW Electric Heat	N			
	54 kW Electric Heat	P			
	72 kW Electric Heat	R			
11	Design Sequence	*			
12-13	Service Sequence	*,*			
14	Fresh Air Selection				
	No Fresh Air	0			
	Manual Outside Air Damper 0-25%	A			
	Motorized Outside Air Damper 0-50%.....	B			
	Economizer, Dry Bulb 0-100% without Barometric Relief.....	C			
	Economizer, Dry Bulb 0-100% with Barometric Relief①.....	D			
	Economizer, Reference Enthalpy 0-100% without Barometric Relief.....	E			
	Economizer, Reference Enthalpy 0-100% with Barometric Relief①	F			
	Economizer, Comparative Enthalpy 0-100% without Barometric Relief.....	G			
	Economizer, Comparative Enthalpy 0-100% with Barometric Relief①	H			
	Downflow Low Leak Economizer, Dry Bulb without Barometric Relief.....	J			
	Downflow Low Leak Economizer, Reference Enthalpy without Barometric Relief.....	L			
	Downflow Low Leak Economizer, Comparative Enthalpy without Barometric Relief.....	N			

- ① Some field set up required
- ② Must be ordered through the base electrical option
- ③ All factory installed Options are Built-to-Order. Check order services for estimated production cycle
- ④ Factory installed economizers only available in downflow configuration
- ⑤ Fault Detection and Diagnostics (FDD) is available on Low Leak Economizers only

Light Commercial
Packaged Cooling



It's Hard To Stop A Trane.®

Foundation™ Packaged Cooling 3-5 Ton Accessories

Table LPC-18-A – Foundation™ – Field Installed Accessories

Model Number	Description	Used With
BAYCURB320	Roof curb	All
BAYGARD320	Tool-less Hail Guard	All
BAYTBUE320	Through the base - Elec.	All
BAYDSCF320	Unit Mounted Disconnect- cooling only, 100 Amp	GBC, EBC No Elec Heat
BAYDSCF321	Unit Mounted Disconnect - electric heat, 100 Amp	EBC w/Elec Heat
BAYCO2K300	Wall Mounted CO2 Sensor	All
BAYCO2K301	Duct Mounted CO2 Sensor	All
BAYCOSW320	Condensate Overflow	All
BAYCCHT010	CCH – 208-230V (40 W) 6.5"	E/GBC(048 & 060)A3
BAYCCHT011	CCH - 460V/572V (40W) 6.5"	E/GBC(048 & 060A)(4 & W)
BAYCCHT103	CCH – 208-230V (40 W) 5.5"	E/GBC036A3
BAYCCHT405	CCH - 460V/572V (40W) 5.5"	E/GBC036A(4 & W)
BAYLOAM330	Frostat	All
BAYLOAM340	Low Ambient Kit	All
BAYASCT001	Compressor Short Cycle Timer	All
BAYHSMT320	2 HP Oversize motor Kit (208-230/460V)	All
BAYHSMT321	2 HP Oversize motor Kit (380V)	All
BAYHSMT322	2 HP Oversize motor Kit (575V)	All
BAYDMPR321	Damper, Manual 3-5T	All
BAYDMPR320	Damper, Motorized 3-5T	All
BAYBARO320	Barometric Relief Damper, 3-5T	All
BAYECON320	Economizer, Dry Bulb, Downflow 3-5T	All
BAYENTH320	Reference Enthalpy Economizer, 3-5T	All
BAYENTH321	Comparative Enthalpy Economizer, 3-5T	All
BAYECON353Ⓞ	Low Leak Economizer, Dry Bulb, Downflow W/FDD, 3-5T	All
BAYECON354Ⓞ	Low Leak Economizer, Dry Bulb, Horizontal W/FDD, 3-5T	All
BAYENTH323AⓄ	Comparative Enthalpy, LLE W/FDD, 3-5T	All
BAYENTH322AⓄ	Reference Enthalpy, LLE W/FDD, 3-5T	All
BAYBARO321AⓄ	Barometric Relief Damper, LLE W/FDD, 3-5T	All
BAYPWRX320AⓄ	Power Exhaust, 3-5T DF, 230V	All
BAYPWRX321AⓄ	Power Exhaust, 3-5T DF, 460V	All
BAYPWRX322AⓄ	Power Exhasut, 3-5T DF, 575V	All

Ⓞ Please check availability.
Ⓞ FDD = Fault Detection & Diagnostics.

Light Commercial
Packaged Cooling



Foundation™ Packaged Cooling 3-5 Ton Heaters

It's Hard To Stop A Trane.®

Table LPC-19-A — Foundation™ - R-410A - Field Installed Accessories

Model No	Power Supply	kW Rating	Nominal BTUH)	No. Stages	Used With
BAYHTFA305	208-230/3/60	3.5 / 4.7	12,800 / 17,100	1	EBC*A3*
BAYHTFA307	208-230/3/60	5.6 / 7.5	19,200 / 25,600	1	EBC*A3*
BAYHTFA310	208-230/3/60	7.5 / 10	25,700 / 34,200	1	EBC*A3*
BAYHTFA315	208-230/3/60	10.8 / 14.4	38,400 / 51,200	1	EBC*A3*
BAYHTFA320	208-230/3/60	15 / 20	51,300 / 68,300	2	EBC048A3*, EBC060A3*
BAYHTFA325	208-230/3/60	18.8 / 25	64,100 / 85,400	2	EBC060A3*
BAYHTFA405	460/3/60	5	17,100	1	EBC*A4*
BAYHTFA407	460/3/60	7.5	25,600	1	EBC*A4*
BAYHTFA410	460/3/60	10	34,200	1	EBC*A4*
BAYHTFA415	460/3/60	15	51,200	1	EBC*A4*
BAYHTFA420	460/3/60	20	68,300	2	EBC048A4*, EBC060A4*
BAYHTFA425	460/3/60	25	85,400	2	EBC060A4*
BAYHTFAW10	575/3/60	10	34,200	1	EBC*AW*
BAYHTFAW15	575/3/60	15	51,200	1	EBC*AW*
BAYHTFAW20	575/3/60	20	68,300	2	EBC048AW*, EBC060AW*
BAYHTFAW25	575/3/60	25	85,400	2	EBC060AW*



It's Hard To Stop A Trane.®

Medium Foundation™ Packaged Cooling 7.5-12.5 Tons, R-410A



- Scroll compressors on all units
- Operating charge of R-410A
- Low ambient operation to 40°F as standard
- Color coded and numbered wiring
- Single side service access
- Molded handles on service access doors
- Separated high and low voltage compartments
- Liquid Line Refrigerant Drier
- Provisions for through the base connections
- Phase monitor on all units
- Convertible airflow
- Two inch throwaway filters as standard
- Non-corrosive & removable drain pan
- **5-year limited compressor warranty (7.5 - 12.5 tons)**

Table LPC-20-A – Foundation™ – R-410A – Electromechanical Controls - 2-Speed Fan

Tons	Unit Model No.	Power Supply Volts/Phase/Hz	Performance IEER	Cooling Capacity (Btuh)	Dimensions (in.) H x W x L	Shipping Weight (lbs.)	MCA	Max Fuse Size or Max Circuit Breaker [Ⓢ]	Downflow Roofcurb
ECC* - Three Phase No Heat									
7½	ECC090A3E0A3YXA*	208-230/3/60			44 x 58¾ x 88¼	999	37	50	BAYCURB310
8½	ECC102A3E0A3YXA*	208-230/3/60			49⅞ x 58¾ x 88¼	1073	40	50	BAYCURB310
10	ECC120A3E0A3YXA*	208-230/3/60			49⅞ x 58¾ x 88¼	1144	54	70	BAYCURB310
12½	ECC150A3E0A3YXA*	208-230/3/60			49⅞ x 58¾ x 88¼	1246	62	80	BAYCURB310
7½	ECC090A4E0A3YXA*	460/3/60			44 x 58¾ x 88¼	999	22	25	BAYCURB310
8½	ECC102A4E0A3YXA*	460/3/60			49⅞ x 58¾ x 88¼	1073	23	30	BAYCURB310
10	ECC120A4E0A3YXA*	460/3/60			49⅞ x 58¾ x 88¼	1144	27	35	BAYCURB310
12½	ECC150A4E0A3YXA*	460/3/60			49⅞ x 58¾ x 88¼	1246	31	40	BAYCURB310

Ⓢ HACR Circuit Breaker Type Per NEC.

3YXA medium Foundation models include multi-speed motor .

Information subject to change. Please confirm with current Product Data for current factory production.

Light Commercial
Packaged Cooling



Medium Foundation™ Packaged Cooling 7.5-12.5 Tons, R-410A (Model Digit Numbers)

Digit	Description	Order Number	Digit	Description	Order Number
1	Unit Function Packaged Cooling, Electric Heat	E	14	Fresh Air Selection ⓐⓑ	
2	Efficiency Generation C - DOE	C	15	Supply Fan/Drive Type/Motor	
3	Airflow Configuration Convertible.....	C		Multi-Speed Standard Motor.....	7
4,5,6	Nominal Gross Cooling Capacity (MBh)			Multi-Speed Oversized Motor	9
	7.5 Ton.....	090	16	Unit Type	
	8.5 Ton.....	102		Medium Foundation.....	M
	10 Ton.....	120	17	Condenser Coil Protection	
	12.5 Ton.....	150		Standard Coil	0
7	Design Sequence	*	18	Through the Base Provisions	
8	Voltage			No Through-the Base-Provisions.....	0
	208-230/60/3	3	19	Disconnect/Circuit Breake (3 phase only)	
	460/60/3	4		No Disconnect/Circuit Breaker	0
9	Unit Controls		20-24	Not Used	
	Electromechanical	E		No Convenience Outlet	0000
10	Heating Capacity		25	System Monitoring Controls 1	
	Cooling Only	0		No Monitoring Controls	0
11	Minor Design Sequence	*	26	System Monitoring Controls 2	
12-13	Service Sequence	**		Economizer Fault Detection and Diagnostics (FDD)Ⓒ	B

- ⓐ Some field set up required
- ⓑ Must be ordered through the base electrical option
- ⓒ All factory installed Options are Built-to-Order. Check order services for estimated production cycle
- ⓓ Factory installed economizers only available in downflow configuration
- Ⓒ Fault Detection and Diagnostics (FDD) is available on Low Leak Economizers only



It's Hard To Stop A Trane.®

Medium Foundation™ Packaged Cooling 7.5 - 12.5 Tons Accessories

Table LPC-22-A — Foundation™ - R-410A - Field Installed Accessories

Model Number	Description	Used With
BAYTBUE310	Through the Base Electrical Connections	All Foundation 15-25 Ton Units
BAYDSCF300	Unit Mounted Disconnect, 100 Amp Not for use when electric heat installed	ECC090* - ECC150
BBAYDSCF302	Unit Mounted Disconnect, 100 Amp	BAYHTFA318A, BAYHTFA418A, BAYHTFAW18A, BAYHTFA436A, BAYHTFA454A, BAYHTFBW36A, BAYHTFAW54A, BAYHTFBW54A, BAYHTFBW72A, BAYHTFAW72A
BAYDSCF303	Unit Mounted Disconnect, 150 Amp	BAYHTFA472A, BAYHTF4372A, BAYHTFA336A, BAYHTFB336A, BAYHTFB454A
BAYDSCF304	Unit Mounted Disconnect, 250 Amp	BAYHTFA372A, BAYHTFB372A, BAYHTFA354A, BAYHTFAW36A
BAYDMPR311	Damper, Manual	ECC090A* - ECC150A*
BAYDMPR310	Damper, Motorized	ECC090A* - ECC150A*
BAYECON310	Economizer, Dry Bulb, Downflow	ECC090A* - ECC150A*
BAYECON311	Economizer, Dry Bulb, Horizontal	ECC090A* - ECC150A*
BAYECON355	Low Leak Economizer w/FDD, Dry Bulb, Downflow	ECC090A* - ECC150A*
BAYECON356	Low Leak Economizer w/FDD, Dry Bulb, Horizontal	ECC090A* - ECC150A*
BAYBARO310	Barometric Relief Damper, 7.5 - 12.5T	ECC090A* - ECC150A*
BAYENTH310	Reference Enthalpy Economizer Kit	ECC090A* - ECC150A*
BAYENTH311	Comparative Enthalpy Economizer Kit	ECC090A* - ECC150A*
BAYENTH312	Reference Enthalpy Economizer Kit	ECC090A* - ECC150A* w/Low Leak Economizer & FDD
BAYENTH313	Comparative Enthalpy Economizer Kit	ECC090A* - ECC150A* w/Low Leak Economizer & FDD
BAYCURB310	Roof Curb	ECC090A* - ECC150A*
BAYGARD311	Condenser Hail Guard	ECC090A* - ECC150A*
BAYCCHT300	Crankcase Heater, 70W, 230V	ECC1B0A3* - ECC300A3*
BAYCCHT301	Crankcase Heater, 70W, 460V	ECC1B0A4* - ECC300A4*
BAYCCHT302	Crankcase Heater, 70W, 575V	ECC1B0AW* - ECC300AW*
BAYASCT001	Compressor Short Cycle Timer	ECC090A* - ECC150A
BAYLOAM300	Low Ambient Control	EBC180A* - EBC300A*
BAYLOAM310	Evaporator Defrost Control	EBC180A* - EBC300A*
BAYPWRX310	Power Exhaust, 15-25T, DF, 230V	ECC090A3* - ECC150A3*
BAYPWRX311	Power Exhaust, 15-25T, DF, 460V	ECC090A4* - ECC150A4*
BAYPWRX312	Power Exhaust, 15-25T, DF, 575V	ECC090AW* - ECC150AW*
BAYHSDR300	High Static Drive Option	EBC180A* - EBC300A*
BAYCO2K300	Wall Mounted CO2 Sensor	ECC090A* - ECC150A* with economizer
BAYCO2K301	Duct Mounted CO2 Sensor	ECC090A* - ECC150A* with economizer
BAYCOSW300	Drain Pan Overflow Switch	ECC090A* - ECC150A*
BAYSTAT300	BACNet Enabled Thermostat	EBC180A* - EBC300A*

Ⓢ Please check availability.

Ⓢ See HVAC Knowledge Center for a list of compatible Carrier units.

Ⓢ FDD = Fault Detection & Diagnostics.

Information subject to change. Please confirm with current Product Data for current factory production.

Light Commercial
Packaged Cooling



Medium Foundation™ Packaged Cooling 7.5 - 12.5 Tons Heaters

It's Hard To Stop A Trane.®

Table LPC-23-A – Foundation™ - R-410A - Field Installed Accessories

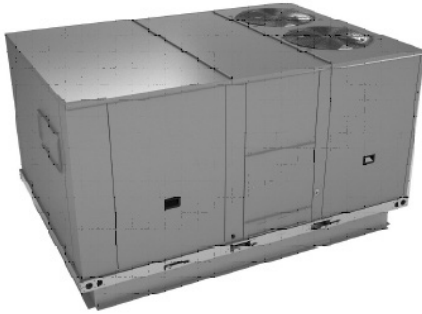
Model Number	Power Supply	kW Rating	Nominal BTUH	No. Stages	Used With
EHK-10CUL	208-230/3/60	10.4	35490	1	ECC090A3* - ECC150A3*
EHK-15CUL	208-230/3/60	16	54590	1	ECC090A3* - ECC150A3*
EHK-25CUL	208-230/3/60	25	85300	1	ECC090A3* - ECC150A3*
EHK-32CUL	208-230/3/60	32	109190	2	ECC090A3* - ECC150A3*
EHK-41CUL	208-230/3/60	41	139900	2	ECC090A3* - ECC150A3*
EHK-50CUL	208-230/3/60	50	170610	2	ECC120A3* - ECC150A3*
EHK-14FUL	460/3/60	13.9	47427	1	ECC090A4* - ECC150A4*
EHK-16FUL	460/3/60	16.5	56298	1	ECC090A4* - ECC150A4*
EHK-25FUL	460/3/60	25	85300	1	ECC090A4* - ECC150A4*
EHK-33FUL	460/3/60	33	112596	2	ECC090A4* - ECC150A4*
EHK-41FUL	460/3/60	41.5	141598	2	ECC090A4* - ECC150A4*
EHK-50FUL	460/3/60	50	170600	2	ECC120A4* - ECC150A4*

Information subject to change. Please confirm with current Product Data for current factory production.



It's Hard To Stop A Trane.®

Foundation™ Packaged Cooling 15-25 Tons, R-410A



- Scroll compressors on all units
Provisions for through the base
- Operating charge of R-410A connections
- Low ambient operation to 40°F as standard
Phase monitor on all units
- Color coded and numbered wiring
Convertible airflow
- Single side service access
Two inch throwaway filters as standard
- Molded handles on service access doors
Non-corrosive & removable drain pan
- Separated high and low voltage
- Liquid Line Refrigerant Drier
- 5-year limited compressor warranty (15-25 tons)

Table PC-24-B – Foundation™ – R-410A – Electromechanical Controls - 2-Speed Fan

Tons	Unit Model No.	Power Supply Volts/Phase/Hz	Performance (EER/IEER)	Cooling Capacity (Btuh)	Dimensions (in.) H x W x L	Shipping Weight (lbs.)	MCA	Max Fuse Size or Max Circuit Breaker ^①	Downflow Roofcurb
ECC* - Three Phase No Heat									
15	ECC180A3E0A1DQY	208-230/3/60	11.0/14.2	194,000	58 ⁵ / ₈ x 86 ¹⁵ / ₁₆ x 123 ¹ / ₈	2146	75	100	BAYCURB027B
17½	ECC210A3E0A1DQY	208-230/3/60	11.0/14.2	214,000	58 ⁵ / ₈ x 86 ¹⁵ / ₁₆ x 123 ¹ / ₈	2155	86	110	BAYCURB027B
20	ECC240A3E0A1DQY	208-230/3/60	10.0/13.2	252,000	58 ⁵ / ₈ x 86 ¹⁵ / ₁₆ x 123 ¹ / ₈	2180	97	125	BAYCURB027B
25	ECC300A3E0A1DQY	208-230/3/60	10.0/13.2	280,000	58 ⁵ / ₈ x 86 ¹⁵ / ₁₆ x 123 ¹ / ₈	2206	126	175	BAYCURB027B
<hr/>									
15	ECC180A4E0A1DQY	460/3/60	11.0/14.2	194,000	58 ⁵ / ₈ x 86 ¹⁵ / ₁₆ x 123 ¹ / ₈	2146	35	45	BAYCURB027B
17½	ECC210A4E0A1DQY	460/3/60	11.0/14.2	214,000	58 ⁵ / ₈ x 86 ¹⁵ / ₁₆ x 123 ¹ / ₈	2155	42	50	BAYCURB027B
20	ECC240A4E0A1DQY	460/3/60	10.0/13.2	252,000	58 ⁵ / ₈ x 86 ¹⁵ / ₁₆ x 123 ¹ / ₈	2180	46	60	BAYCURB027B
25	ECC300A4E0A1DQY	460/3/60	10.0/13.2	280,000	58 ⁵ / ₈ x 86 ¹⁵ / ₁₆ x 123 ¹ / ₈	2206	53	70	BAYCURB027B
<hr/>									
15	ECC180AWE0A1DQY	575/3/60	11.0/14.2	194,000	58 ⁵ / ₈ x 86 ¹⁵ / ₁₆ x 123 ¹ / ₈	2146	28	35	BAYCURB027B
17½	ECC210AWE0A1DQY	575/3/60	11.0/14.2	214,000	58 ⁵ / ₈ x 86 ¹⁵ / ₁₆ x 123 ¹ / ₈	2155	34	45	BAYCURB027B
20	ECC240AWE0A1DQY	575/3/60	10.0/13.2	252,000	58 ⁵ / ₈ x 86 ¹⁵ / ₁₆ x 123 ¹ / ₈	2180	38	50	BAYCURB027B
25	ECC300AWE0A1DQY	575/3/60	10.0/13.2	280,000	58 ⁵ / ₈ x 86 ¹⁵ / ₁₆ x 123 ¹ / ₈	2206	44	50	BAYCURB027B

① HACR Circuit Breaker Type Per NEC.

1DQY models include a multi-speed motor.

Information subject to change. Please confirm with current Product Data for current factory production.

Light Commercial Packaged Cooling



It's Hard To Stop A Trane.®

Foundation™ Packaged Cooling 15-25 Tons, R-410A (Model Digit Numbers)

Digit	Description	Order Number	Digit	Description	Order Number
1	Unit Function		15	Supply Fan/Drive Type/Motor	
	Packaged Cooling, Electric Heat	E		Multi-Speed Standard Motor.....	7
2	Efficiency			Multi-Speed Oversized Motor	9
	Generation B.....	B	16	Access	
	Generation C - DOE.....	C		Standard Fork Access	0
3	Airflow Configuration			Third Side Condenser Fork Access (15-25 Tons)	F
	Convertible.....	C	17	Condenser Coil Protection	
4,5,6	Nominal Gross Cooling Capacity (MBh)			Standard Coil	0
	3 Ton.....	036		Condenser with CompleteCoat™	4
	4 Ton.....	048	18	Through the Base Provisions	
	5 Ton.....	060		No Through-the-Base-Provisions	0
	15 Ton.....	180		Through-the-Base Electric	A
	17.5 Ton.....	210	19	Disconnect/Circuit Breake (3 phase only)	
	20 Ton.....	240		No Disconnect/Circuit Breaker	0
	25 Ton.....	300		Unit Mounted/Non-Fused Disconnect®	1
7	Design Sequence	*	20-24	Not Used	
8	Voltage			No Convenience Outlet	0000
	208-230/60/3	3	25	System Monitoring Controls 1	
	460/60/3	4		No Monitoring Controls	0
	575/60/3	W		Condensate Drain Pan Overflow Switch.....	A
9	Unit Controls		26	System Monitoring Controls 2	
	Electromechanical	E		Economizer Fault Detection and Diagnostics (FDD)®	B
10	Heating Capacity				
	No Heat	0			
	5 kW Electric Heat	A			
	7.5 kW Electric Heat	B			
	10 kW Electric Heat	C			
	14.4 kW Electric Heat	D			
	20 kW Electric Heat	E			
	25 kW Electric Heat	F			
	18 kW Electric Heat	G			
	36 kW Electric Heat	N			
	54 kW Electric Heat	P			
	72 kW Electric Heat	R			
11	Design Sequence	*			
12-13	Service Sequence	*,*			
14	Fresh Air Selection				
	No Fresh Air	0			
	Manual Outside Air Damper 0-25%	A			
	Motorized Outside Air Damper 0-50%.....	B			
	Economizer, Dry Bulb 0-100% without Barometric Relief.....	C			
	Economizer, Dry Bulb 0-100% with Barometric Relief①.....	D			
	Economizer, Reference Enthalpy 0-100% without Barometric Relief.....	E			
	Economizer, Reference Enthalpy 0-100% with Barometric Relief①	F			
	Economizer, Comparative Enthalpy 0-100% without Barometric Relief.....	G			
	Economizer, Comparative Enthalpy 0-100% with Barometric Relief①	H			
	Downflow Low Leak Economizer, Dry Bulb without Barometric Relief.....	J			
	Downflow Low Leak Economizer, Reference Enthalpy without Barometric Relief.....	L			
	Downflow Low Leak Economizer, Comparative Enthalpy without Barometric Relief.....	N			

- ① Some field set up required
- ② Must be ordered through the base electrical option
- ③ All factory installed Options are Built-to-Order. Check order services for estimated production cycle
- ④ Factory installed economizers only available in downflow configuration
- ⑤ Fault Detection and Diagnostics (FDD) is available on Low Leak Economizers only

Light Commercial
Packaged Cooling



Foundation™ Packaged Cooling 15-25 Tons Accessories

Table LPC-26-A — Foundation™ - R-410A - Field Installed Accessories

Model Number	Description	Used With
BAYTBUE300	Through the Base Electrical Connections	All Foundation 15-25 Ton Units
BAYDSCF300	Unit Mounted Disconnect, 100 Amp Not for use when electric heat installed	ECC180A4* - ECC300A4*, ECC180AW* - ECC300AW*
BAYDSCF301	Unit Mounted Disconnect, 150 Amp	ECC180A3* - ECC300A3*
BAYDSCF302	Unit Mounted Disconnect, 100 Amp	BAYHTFA318A, BAYHTFA418A, BAYHTFAW18A, BAYHTFA436A, BAYHTFA454A, BAYHTFBW36A, BAYHTFAW54A, BAYHTFBW54A, BAYHTFA472A, BAYHTF4372A, BAYHTFA336A, BAYHTFB336A, BAYHTFB454A
BAYDSCF303	Unit Mounted Disconnect, 150 Amp	BAYHTFA372A, BAYHTFB372A, BAYHTFA354A, BAYHTFAW36A
BAYDSCF304	Unit Mounted Disconnect, 250 Amp	BAYHTFAW36A
BAYDMPR301	Damper, Manual	ECC180A* - ECC300A*
BAYDMPR300	Damper, Motorized	ECC180A* - ECC300A*
BAYECON300	Economizer, Dry Bulb, Downflow	ECC180A* - ECC300A*
BAYECON301	Economizer, Dry Bulb, Horizontal	ECC180A* - ECC300A*
BAYECON350	Low Leak Economizer w/FDD, Dry Bulb, Downflow	ECC180A* - ECC300A*
BAYECON351	Low Leak Economizer w/FDD, Dry Bulb, Horizontal	ECC180A* - ECC300A*
BAYHZCN300	Horizontal Economizer Conversion Kit	ECC180A* - ECC300A*
BAYBARO300	Barometric Relief Damper, 15-25T	ECC180A* - ECC300A*
BAYENTH300	Reference Enthalpy Economizer Kit	ECC180A* - ECC300A*
BAYENTH301	Comparative Enthalpy Economizer Kit	ECC180A* - ECC300A*
BAYENTH302	Reference Enthalpy Economizer Kit	ECC180A* - ECC300A* w/Low Leak Economizer & FDD
BAYENTH303	Comparative Enthalpy Economizer Kit	ECC180A* - ECC300A* w/Low Leak Economizer & FDD
BAYCURB027	Roof Curb	ECC180A* - ECC300A*
BAYHZRT001	Horizontal Duct Conversion Kit	ECC180A* - ECC300A*
BAYCARR001	Carrier Replacement Conversion Kit	ECC180A* - ECC300A*
BAYGARD300	Condenser Hail Guard	ECC180A* - ECC300A*
BAYCCHT300	Crankcase Heater, 70W, 230V	ECC180A3* - ECC300A3*
BAYCCHT301	Crankcase Heater, 70W, 460V	ECC180A4* - ECC300A4*
BAYCCHT302	Crankcase Heater, 70W, 575V	ECC180AW* - ECC300AW*
BAYASCT001	Compressor Short Cycle Timer	ECC180A* - ECC300A*
BAYLOAM300	Low Ambient Control	ECC180A* - ECC300A*
BAYLOAM310	Evaporator Defrost Control	ECC180A* - ECC300A*
BAYPWRX300	Power Exhaust, 15-25T, DF, 230V	ECC180A3* - ECC300A3*
BAYPWRX301	Power Exhaust, 15-25T, DF, 460V	ECC180A4* - ECC300A4*
BAYPWRX302	Power Exhaust, 15-25T, DF, 575V	ECC180AW* - ECC300AW*
BAYHSMT300	High Static Motor & Drv, 5HP 230/460V	ECC180A3, ECC180A4
BAYHSMT301	High Static Motor & Drv, 5HP 575V	ECC1 80AW
BAYHSMT302	High Static Motor & Drv, 7.5HP 230/460V	ECC210A3, ECC240A3
BAYHSMT303	High Static Motor & Drv, 7.5HP 460V	ECC210A4, ECC240A4
BAYHSMT304	High Static Motor & Drv, 7.5HP 575V	ECC210AW, ECC240AW
BAYSHGR003	Shaft Grounding Ring, 0.875" Shaft	Used With 5HP VFD Motors
BAYSHGR002	Shaft Grounding Ring, 1.125" Shaft	Used With 7.5HP VFD Motors
BAYLSDR300	Low Static Drive Option	ECC180A* - ECC300A*
BAYHSDR300	High Static Drive Option	ECC180A* - ECC300A*
BAYCO2K300	Wall Mounted CO2 Sensor	ECC180A* - ECC300A* with economizer
BAYCO2K301	Duct Mounted CO2 Sensor	ECC180A* - ECC300A* with economizer
BAYPALT001	Reuseable Pallet for Condenser End Unit Lifting	All Foundation 15-25 Ton Units
BAYCOSW300	Drain Pan Overflow Switch	ECC180A* - ECC300A*
BAYSTAT300	BACNet Enabled Thermostat	ECC180A* - ECC300A*

① Please check availability.

② See HVAC Knowledge Center for a list of compatible Carrier units.

③ FDD = Fault Detection & Diagnostics.

Information subject to change. Please confirm with current Product Data for current factory production.



It's Hard To Stop A Trane.®

Foundation™ Packaged Cooling 15-25 Tons Heaters

Table LPC-27-A — Foundation™ - R-410A - Field Installed Accessories

Model Number	Power Supply	KW Rating	Nominal BTUH	No. Stages	Used With
BAYHTFB318A	208-230/3/60	13/5/18	46,100/64,400	1	ECC180A3
BAYHTFC336A	208-230/3/60	27/36	92,200/122,900	2	ECC180A3, ECC210A3
BAYHTFC354A	208-230/3/60	27/36	92,200/122,900	2	ECC180A3, ECC210A3
BAYHTFC372A	208-230/3/60	40.5/54	138,200/184,300	2	ECC210A3
BAYHTFD336A	208-230/3/60	40.5/54	138,200/184,300	2	ECC240A3, ECC300A3
BAYHTFD354A	208-230/3/60	54/72	184,300/245,700	2	ECC240A3, ECC300A3
BAYHTFD372A	208-230/3/60	54/72	184,300/245,700	2	ECC240A3, ECC300A3
BAYHTFB418A	460/3/60	18	64000	1	ECC180A4
BAYHTFC436A	460/3/60	36	122900	2	ECC180A4, ECC210A4
BAYHTFC454A	460/3/60	36	122900	2	ECC180A4, ECC210A4
BAYHTFC472A	460/3/60	54	184300	2	ECC210A4
BAYHTFD436A	460/3/60	54	184300	2	ECC240A4, ECC300A4
BAYHTFD454A	460/3/60	72	245700	2	ECC240A4, ECC300A4
BAYHTFD472A	460/3/60	72	245700	2	ECC240A4, ECC300A4
BAYHTFBW18A	575/3/60	18	64000	1	ECC180AW
BAYHTFCW36A	575/3/60	36	122900	2	ECC180AW, ECC210AW
BAYHTFCW54A	575/3/60	36	122900	2	ECC180AW, ECC210AW
BAYHTFCW72A	575/3/60	54	184300	2	ECC210AW
BAYHTFDW36A	575/3/60	54	184300	2	ECC240AW, ECC300AW
BAYHTFDW54A	575/3/60	72	245700	2	ECC240AW, ECC300AW
BAYHTFDW72A	575/3/60	72	245700	2	ECC240AW, ECC300AW

Information subject to change. Please confirm with current Product Data for current factory production.