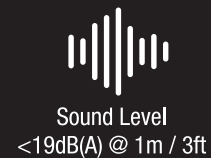


# CP-TRS

## CONDENSATE PUMP

- Low noise
- Safe and reliable water detection
- Large flow
- Function key Fn
- Soft start
- Convenient cleaning



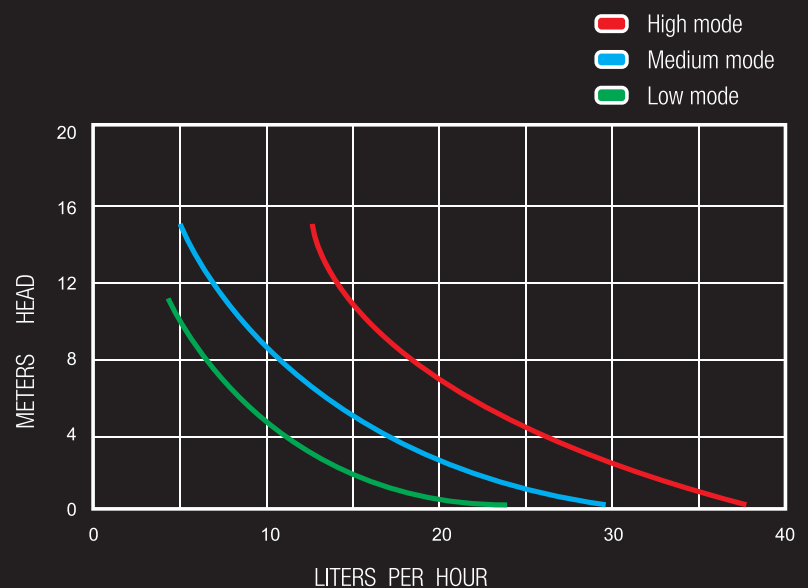
Thank you for purchasing our new condensate pump - CP-TRS.

CP-TRS uses a capacitive sensor to detect water instead of the traditional float and hall element. The soft start mode greatly reduces the starting noise and extend the service life of the pump and electronic components, and with counter to record runing time and alarm.

### > TECHNICAL DATA

- Power supply : 100-240V AC 50/60Hz <4W
- Max.flow:  
Low mode 20 L/h, 16 dB(A) @ 1m / 3ft  
Medium mode 30 L/h, 17dB(A) @ 1m / 3ft  
High mode 40 L/h, 19 dB(A) @ 1m / 3ft
- Max.recommended head: 20m / 65.62ft
- Max.suction lift: 2m / 6.56ft
- Max.unit output: 46 kw / 157,000 Btu/h
- Max.water temperature: 70°C / 158°F
- Discharge tube: 6mmID
- Class: II Appliance
- Protection: Fully potted, IP-45
- Start method: Soft Start
- L×W×H: 185mm x 36mm x 34mm  
7.28" x 1.42" x 1.34"

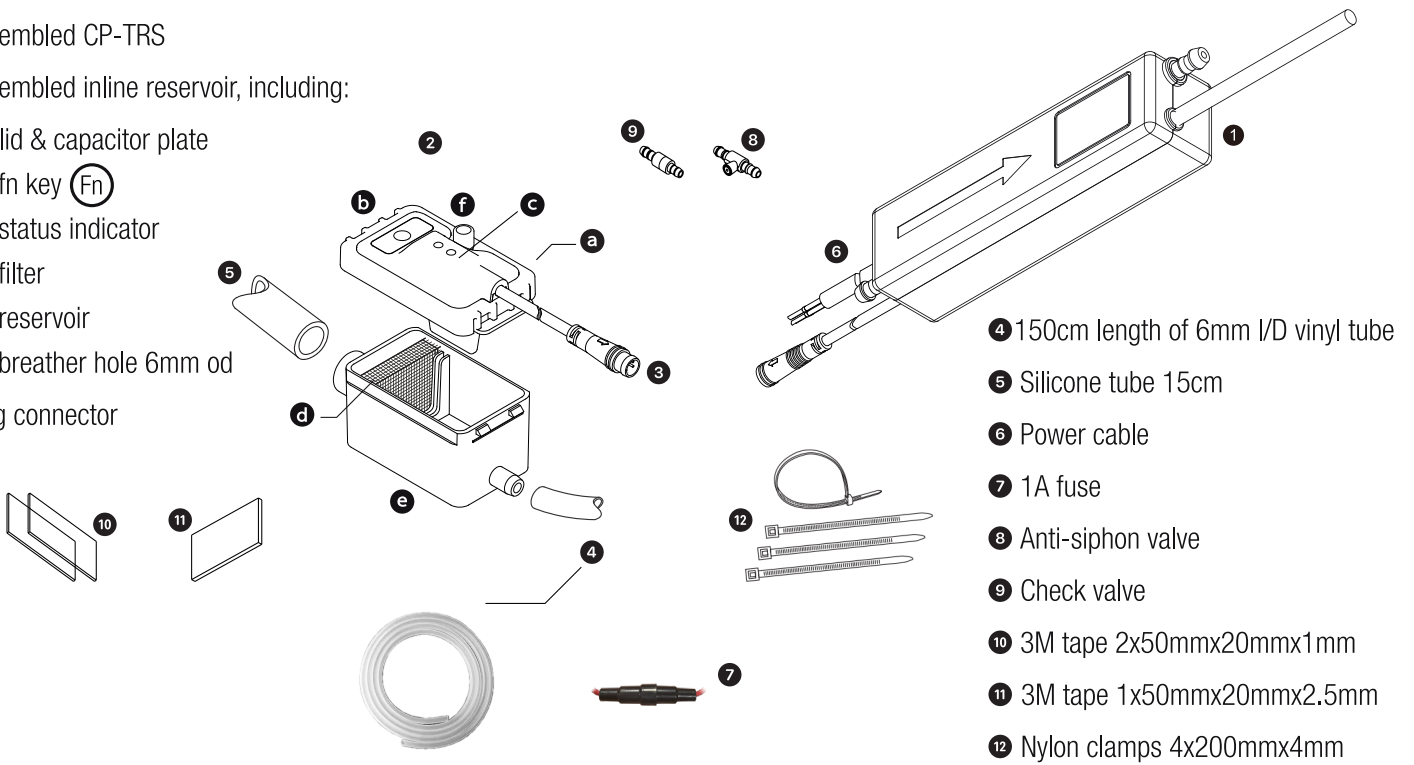
### TYPICAL PERFORMANCE <



Made in China

## ① IN THE BOX

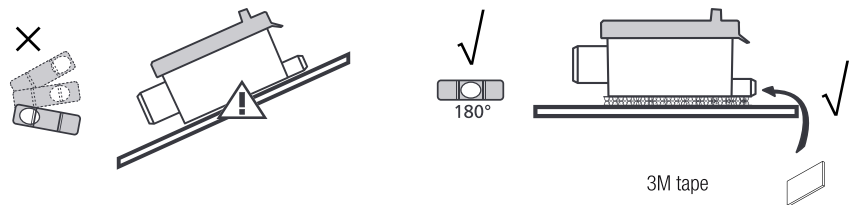
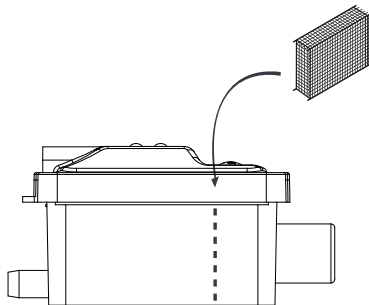
- ① Assembled CP-TRS
- ② Assembled inline reservoir, including:
  - a lid & capacitor plate
  - b fn key (Fn)
  - c status indicator
  - d filter
  - e reservoir
  - f breather hole 6mm od
- ③ Plug connector



- ④ 150cm length of 6mm I/D vinyl tube
- ⑤ Silicone tube 15cm
- ⑥ Power cable
- ⑦ 1A fuse
- ⑧ Anti-siphon valve
- ⑨ Check valve
- ⑩ 3M tape 2x50mmx20mmx1mm
- ⑪ 3M tape 1x50mmx20mmx2.5mm
- ⑫ Nylon clamps 4x200mmx4mm

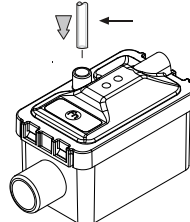
## ② INSTALLATION

1. Ensure the filter is in place and the lid is clipped firmly onto reservoir.

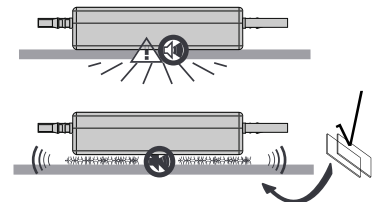


2. Secure reservoir horizontally using velcro strips and for the inline reservoir use the inlet hose to connect firmly to drainage pipe.

3. Fit breather tube to reservoir lid.



4. Using 3M tape.

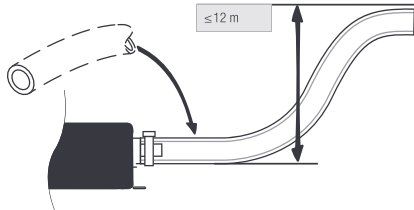


## ② INSTALLATION

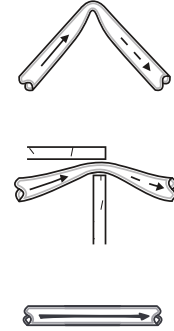
5. Note direction of water flow.



6. Connect your 9mm o/d x 6mm i/d vinyl discharge tube to the outlet barb on the outlet of pump and secure with a cable tie.

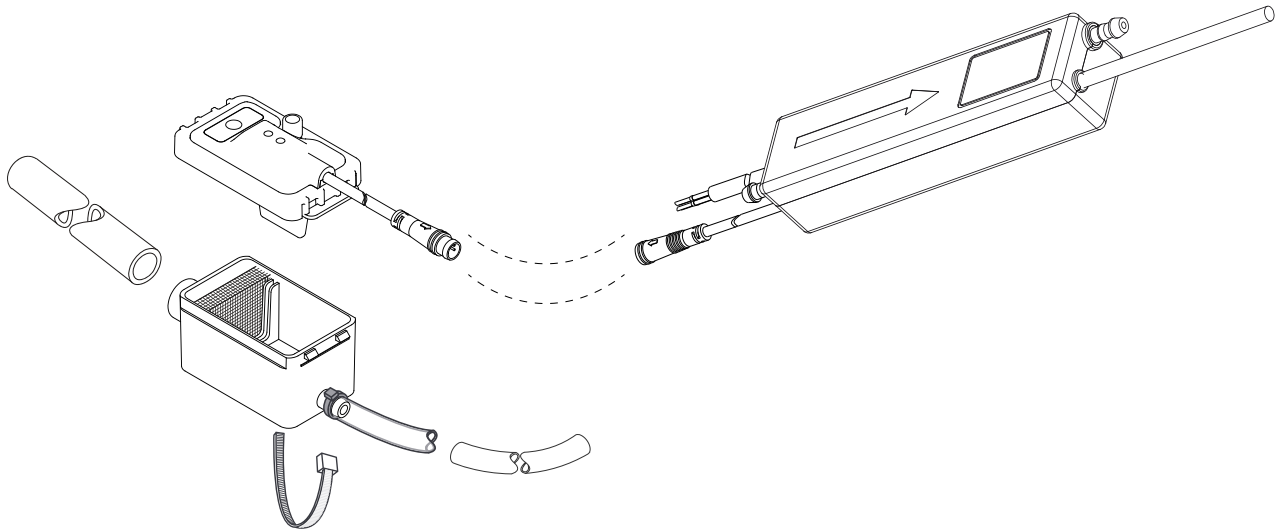


7. Channel discharge tube to an appropriate drain, avoiding restrictions.



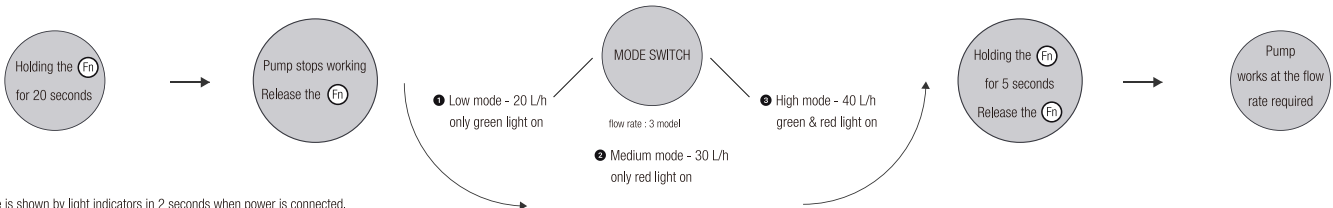
## ② INSTALLATION

8. Push the 9mm o/d x 6mm i/d tube onto the reservoir and the pump, secured with cableties. Ensure length is under 1.5 metres.



## ③ FUNCTIONS

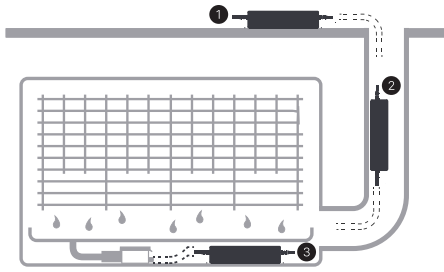
1. Pump drainage test when water is not at trigger level.
2. Drain the water in the reservoir and pipeline, by holding the key **Fn** within 25 seconds. This operation should be done before cleaning and replacement of parts.
3. FLOW RATE mode switch:



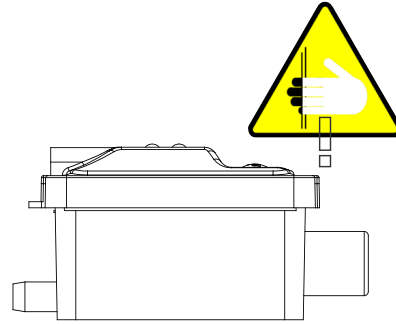
Note: original flow rate is shown by light indicators in 2 seconds when power is connected.

## ④ INSTALLATION

9. Install pump drive unit above the ceiling where possible.



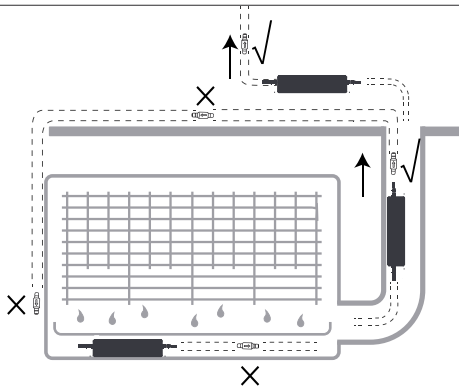
- ① above ceiling
- ② inside conduit
- ③ under condensate drain tray



\* No touch on the reservoir when pump is working in case of wrong detection.

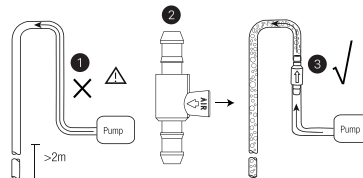
10. No installation on the grounding metal sheet.

## ④ INSTALLATION



11. Check valve is used in case of water flowing back into the reservoir. This phenomenon is generally caused when the outlet is far higher than the pump. Because of the gravity, the water flows back into the reservoir.

Check valve shall be connected as shown in the figure to solve this problem.



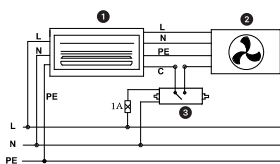
- ① siphoning
- ② anti-siphoning
- ③ device  
air intake = no siphoning

\* caution: the reflux valve could only be installed in vertical, otherwise it won't have any function on antisiphoning.

12. Anti-siphon valve is used where siphon phenomenon occurs. The siphon phenomenon is generally caused when the pump is much higher than outlet, which causes the water inside the reservoir or pump still to be drained completely when the pump is not running. This phenomenon is often accompanied by noise. Anti-siphon valve shall be connected according to the diagram to solve this problem.

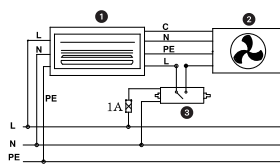
## ④ INSTALLATION

1. Signal-line connection



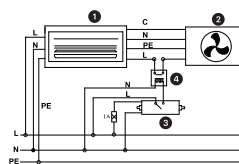
100-240V AC 50/60Hz

2. Strong electric control connection (current <3A)



100-240V AC 50/60Hz

3. Strong electric control connection (current >3A)



100-240V AC 50/60Hz

- ① indoor unit ② outdoor unit ③ pump unit ④ contactor relay (normally open)
- air intake = no siphoning

## ⑤ SAFETY INSTRUCTIONS

Read instructions carefully before attempting to install, operate or service, pump installation, connections or any other service should be done by qualified engineers.

This pump has not been investigated for use in swimming pool or marine areas.

Do not install or use the pump if the supply cord or pump itself is broken.

The Tranquil Pump has been evaluated for use with water only.

Ensure the pump is disconnected from the mains supply before carrying out any adjustments or servicing

Suitable for indoor use only