

ComfortStar®

Air Conditioning & Heating Products

RESIDENTIAL LINE PRODUCT

1.5 Tons up to 5 Tons
14.3 and 15.2 SEER2

SEER2



Comfort, it's in our name



📍 12201 N. W. 107th Avenue | Medley, FL 33178

☎ Toll Free: 1-866-524-9898 | 📞 Phone: 1-305-500-9898 | 📠 Fax: 1-305-500-9896 | ✉ Email us: info@comfortstarusa.com

www.comfortstarusa.com 🌐

TABLE OF CONTENTS



| | | | |
|-------|---|-------|---|
| 03 | BAR5 Series Condensing Units | 18 | CWM5 Specifications |
| 04-05 | BAR5 Specifications | 19 | CWM5 Unit Dimension |
| 06 | BAR5 Unit Dimension | 20 | CWM5-R Series Wall Mounted PSC Air Handlers |
| 07 | BAH5 Series Heat Pump Condensing Units | 21 | CWM5-R Specifications |
| 08-09 | BAH5 Specifications | 22 | CHX(CD) Series Ceiling-Mounted Concealed Fan Coil Units |
| 10 | BAH5 Unit Dimension | 23 | CHX(CD) Specifications |
| 11 | LUC5 Series Multi-Position Air Handlers | 24-27 | Match Up Table |
| 12 | LUC5 Specifications | 28 | CPH Series Heat Pump Package Units |
| 13 | LUC5 Unit Dimension | 29-30 | CPH Specifications |
| 14 | LCM5 Series Multi-Position Air Handlers | 31 | CPH Unit Dimension |
| 15 | LCM5 Specifications | 32 | CDP Series Heat Pump Package Units |
| 16 | LCM5 Unit Dimension | 33-34 | CDP Specifications |
| 17 | CWM5 Series Wall Mounted ECM Air Handlers | 35 | CDP Unit Dimension |





BAR5 Series

CONDENSING UNITS

1.5 Tons up to 5 Tons

18,000 Thru
61,000 btu

UP TO
15.2 SEER2



BAR5 Series

Condensing Units
1.5 up to 5 Tons

UP TO
15.2 SEER2



FEATURES:

- R410A
- High quality condenser with inner-groove copper tube and aluminum fin.
- Service valves with sweat connections and easy-access gauge ports.
- Wire fan discharge grille.

SPECIFICATIONS

| OUTDOOR UNIT | | BAR5-18-15 | BAR5-24-15 | BAR5-30-15 | BAR5-36-15 |
|-----------------------------|---------------------------------|------------------------|------------------------|------------------------|-------------------------|
| Electrical Data | Voltage / Phase (60 Hz) | 208/230/1/60hz | 208/230/1/60hz | 208/230/1/60hz | 208/230/1/60hz |
| | Min. / Max. Voltage | 187/253 | 187/253 | 187/253 | 187/253 |
| | MCA | 11.6 | 14.6 | 15.8 | 21 |
| | MOP | 15 | 20 | 25 | 35 |
| Compressor | Type | Rotary | Rotary | Rotary | Scroll |
| | Stage | Single | Single | Single | Single |
| | RLA | 8 | 10.4 | 11.4 | 15 |
| | LRA | 35 | 43 | 58 | 75 |
| | Crankcase Heater | NO | NO | NO | NO |
| Condenser Coil | Type | Tube & Fin | Tube & Fin | Tube & Fin | Tube & Fin |
| | Tube Size(O.D) | 3/16 | 3/16 | 3/16 | 3/16 |
| Fan Motor | MotorType | ECM | ECM | ECM | ECM |
| | Capacitor(uF) | / | / | / | / |
| | Horsepower (HP) | 1-1/6 | 1-1/6 | 1-1/6 | 1-1/3 |
| | Full Load Amps (FLA) | 1.6 | 1.6 | 1.6 | 2.2 |
| Outdoor Unit | Dimension(W*D*H)(inch) | 23-5/8x23-5/8x24-15/16 | 28x28x24-15/16 | 28x28x33-3/16 | 29-1/8x29x-1/8x24-15/16 |
| | Packing (W*D*H)(inch) | 24-3/4x24-3/4x26-1/4 | 29-1/16x29-1/16x26-1/4 | 29-1/16x29-1/16x34-1/2 | 30-1/4x30-1/4x26-1/4 |
| | Net/Gross weight (lbs) | 117 | 132 | 156 | 154 |
| Refrigeration System | Liquid Valve Size (O.D.) | 3/8 | 3/8 | 3/8 | 3/8 |
| | Suction Valve Size (O.D.) | 3/4 | 3/4 | 3/4 | 3/4 |
| | Liquid Line Size ("O.D.) | 3/8 | 3/8 | 3/8 | 3/8 |
| | Suction Line Size ("O.D.) | 3/4 | 3/4 | 3/4 | 3/4 |
| | Refrigerant Charge (lbs. - oz.) | 4 LBS.-14 OZ | 5 LBS.-12 OZ | 7 LBS.-5 OZ | 5 LBS.-9 OZ |
| | Superheat(°F) | 9 °F | 9 °F | 9 °F | 9 °F |
| Operation Temperature Range | Cooling(°F) | 55-115 | 55-115 | 55-115 | 55-115 |
| | Heating(°F) | / | / | / | / |
| Outdoor Air Flow (hi) | m3/h | 3230 | 4500 | 5100 | 5270 |
| Sound Power | DB | 70 | 73 | 72 | 75 |



BAR5 Series

Condensing Units
1.5 up to 5 Tons

UP TO
15.2 SEER2



FEATURES:

- Factory installed high pressure switch
- AHRI/ETL
- Compact design
- Powder-painted galvanized steel cabinet.
- Steel louver coil guard.

SPECIFICATIONS

| OUTDOOR UNIT | | BAR5-42-15 | BAR5-48-15 | BAR5-60-15 | BAR5-61-15 |
|-----------------------------|---------------------------------|-----------------------|-----------------------|-----------------------|-----------------------|
| Electrical Data | Voltage / Phase (60 Hz) | 208/230/1/60hz | 208/230/1/60hz | 208/230/1/60hz | 208/230/1/60hz |
| | Min. / Max. Voltage | 187/253 | 187/253 | 187/253 | 187/253 |
| | MCA | 24.9 | 25.2 | 35.1 | 38.9 |
| | MOP | 45 | 45 | 60 | 60 |
| Compressor | Type | Scroll | Scroll | Scroll | Scroll |
| | Stage | Single | Single | Single | Two-stage |
| | RLA | 18.1 | 18.4 | 26.3 | 29.3 |
| | LRA | 112 | 94 | 127 | 118 |
| | Crankcase Heater | NO | NO | NO | NO |
| Condenser Coil | Type | Tube & Fin | Tube & Fin | Tube & Fin | Tube & Fin |
| | Tube Size(O.D.) | 3/16 | 3/16 | - | 9/32 |
| Fan Motor | Motor Type | ECM | ECM | ECM | ECM |
| | Horsepower (HP) | 1-1/3 | 1-1/3 | 1-1/3 | 1-1/3 |
| | Full Load Amps (FLA) | 2.2 | 2.2 | 2.2 | 2.2 |
| Outdoor Unit | Dimension(W*D*H)(inch) | 29-1/8x29-1/8x33-3/16 | 29-1/8x29-1/8x33-3/16 | 29-1/8x29-1/8x33-3/16 | 29-1/8x29-1/8x33-3/16 |
| | Packing (W*D*H)(inch) | 30-1/4x30-1/4x34-1/2 | 30-1/4x30-1/4x34-1/2 | 30-1/4x30-1/4x34-1/2 | 30-1/4x30-1/4x34-1/2 |
| | Net/Gross weight (lbs) | 191 | 191 | 194 | 216 |
| Refrigeration System | Liquid Valve Size (O.D.) | 3/8 | 3/8 | 3/8 | 3/8 |
| | Suction Valve Size (O.D.) | 7/8 | 7/8 | 7/8 | 7/8 |
| | Liquid Line Size ("O.D.) | 3/8 | 3/8 | 3/8 | 3/8 |
| | Suction Line Size ("O.D.) | 7/8 | 7/8 | 11/8 | 11/8 |
| | Refrigerant Charge (lbs. - oz.) | 8 LBS.-1 OZ | 8 LBS.-10 OZ | 7 LBS.-14 OZ | 10 LBS.-14 OZ |
| | Superheat(°F) | 9 °F | 9 °F | 9 °F | 9 °F |
| Operation Temperature Range | Cooling(°F) | 55-115 | 55-115 | 55-115 | 55-115 |
| Outdoor Air Flow (hi) | m3/h | 6120 | 6540 | 6540 | 5830 |
| Sound Power | DB | 75 | 76 | 77 | 78 |

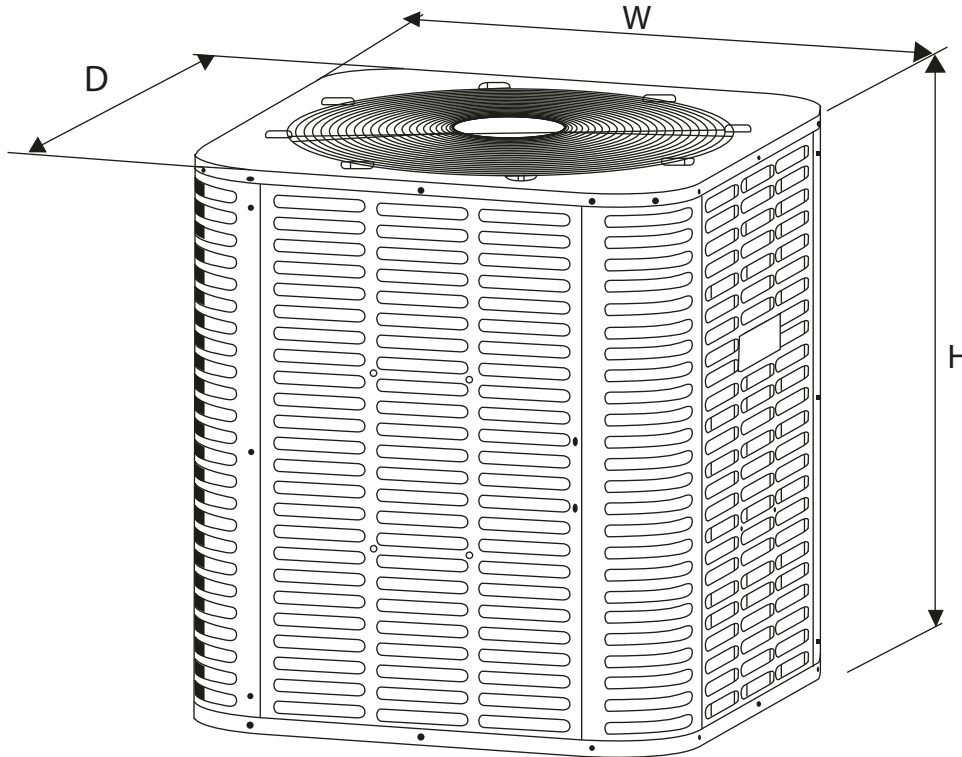


BAR5 Series

Condensing Units
1.5 up to 5 Tons

UP TO
15.2 SEER2

OUTDOOR UNIT DIMENSION



UNIT DIMENSION AND WEIGHTS

| Unit Dimensions | | | |
|-----------------|-----------|-----------|-----------|
| Model | H(inches) | W(inches) | D(inches) |
| 18 | 24-15/16 | 23-5/8 | 23-5/8 |
| 24 | 24-15/16 | 28 | 28 |
| 30 | 33-3/16 | 28 | 28 |
| 36 | 24-15/16 | 29-1/8 | 29-1/8 |
| 42/48/60/61 | 33-3/16 | 29-1/8 | 29-1/8 |



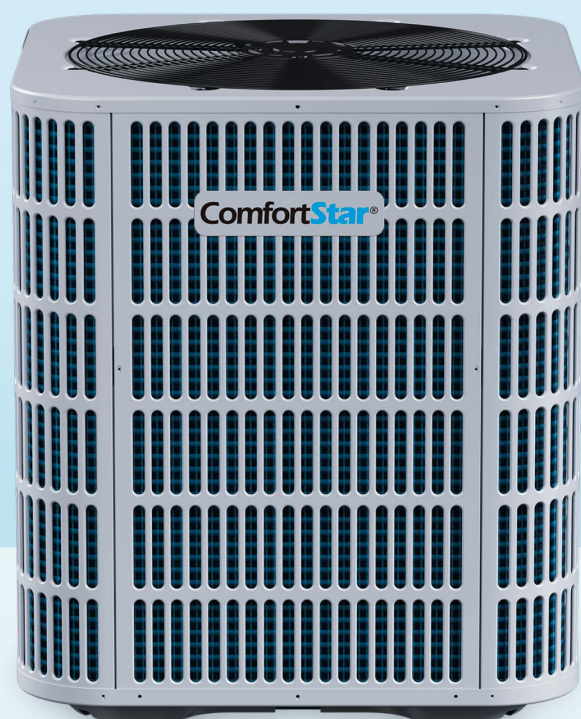
BAH5 Series

HEAT PUMP CONDENSING UNITS

1.5 Tons up to 5 Tons

18,000 Thru
60,000 btu

UP TO
15.2 SEER2



BAH5 Series Heat Pump

Condensing Units
1.5 up to 5 Tons

UP TO
15.2 SEER2

FEATURES:

- R410A chlorine-free refrigerant.
- Energy-efficient compressor.
- Internal protection against high temperature motor overload conditions.
- High quality condenser with inner-groove copper tube and aluminum fin.
- Service valves with sweat connections and easy-access gauge ports.
- Factory-installed high pressure switch and low pressure switch.
- AHRI certified and ETL listed.
- Optional drier filter as accessory.



SPECIFICATIONS

| OUTDOOR UNIT | | BAH5-18-15 | BAH5-24-15 | BAH5-30-15 | BAH5-36-15 |
|----------------------|---------------------------------|-------------|-------------|-------------|-------------|
| Nominal Capacity | Cooling (BTU/h) | 18,000 | 24,000 | 30,000 | 36,000 |
| | Heating (BTU/h) | 18,000 | 24,000 | 30,000 | 36,000 |
| Electrical Data | Voltage / Phase (60 Hz) | 208/230 / 1 | 208/230 / 1 | 208/230 / 1 | 208/230 / 1 |
| | Min. / Max. Voltage | 187/253 | 187/253 | 187/253 | 187/253 |
| | MCA | 13.0 | 15.5 | 17.2 | 23.0 |
| | MOP | 20 | 24 | 30 | 40 |
| Compressor | Type | Scroll | Scroll | Scroll | Scroll |
| | Stage | Single | Single | Single | Single |
| | RLA | 8 | 8 | 8 | 8 |
| | LRA | 48 | 52 | 72 | 75 |
| | Crankcase Heater | Yes | Yes | Yes | Yes |
| Condenser Coil | Throttle Type | Tube & Fin | Tube & Fin | Tube & Fin | Tube & Fin |
| | Tube Size (O.D.) | 3/16 | 3/16 | 3/16 | 3/16 |
| Fan Motor | Motor Type | ECM | ECM | ECM | ECM |
| | Horsepower (HP) | 1-1/6 | 1-1/6 | 1-1/6 | 1-1/3 |
| | Full Load Amps (FLA) | 1.6 | 1.6 | 1.6 | 2.2 |
| Refrigeration System | Liquid Valve Size (O.D.) | 3/8 | 3/8 | 3/8 | 3/8 |
| | Suction Valve Size (O.D.) | 3/4 | 3/4 | 3/4 | 3/4 |
| | Liquid Line Size ("O.D.) | 3/8 | 3/8 | 3/8 | 3/8 |
| | Suction Line Size ("O.D.) | 3/4 | 3/4 | 3/4 | 3/4 |
| | Refrigerant Charge (lbs. - oz.) | 5 LBS.-4 OZ | 6 LBS.-7 OZ | 6 LBS.-7 OZ | 7 LBS.-2 OZ |
| | Superheat(°F) | 9 °F | 9 °F | 9 °F | 9 °F |
| Operation Range | Cooling(°F) | 55-115 | 55-115 | 55-115 | 55-115 |
| | Heating(°F) | 5-86 | 5-86 | 5-86 | 5-86 |
| Sound Power (db) | | 72 | 74 | 73 | 73 |



BAH5 Series Heat Pump

Condensing Units
1.5 up to 5 Tons

UP TO
15.2 SEER2



FEATURES:

- Compact design, easy installation and transportation.
- Powder-painted galvanized steel cabinet.
- Wire fan discharge grille.
- Steel louver coil guard

SPECIFICATIONS

| OUTDOOR UNIT | | BAH5-42-15 | BAH5-48-15 | BAH5-60-15 | BAH5-61-15 |
|----------------------|---------------------------------|-------------|-------------|--------------|---------------|
| Nominal Capacity | Cooling (BTU/h) | 42,000 | 48,000 | 60,000 | 60,000 |
| | Heating (BTU/h) | 42,000 | 48,000 | 60,000 | 60,000 |
| Electrical Data | Voltage / Phase (60 Hz) | 208/230 / 1 | 208/230 / 1 | 208/230 / 1 | 208/230 / 1 |
| | Min. / Max. Voltage | 187/253 | 187/253 | 187/253 | 187/253 |
| | MCA | 26.9 | 29.6 | 34.6 | 38.9 |
| | MOP | 50 | 50 | 60 | 60 |
| Compressor | Type | Scroll | Scroll | Scroll | Scroll |
| | Stage | Single | Single | Single | Two-stage |
| | RLA | 8 | 8 | 8 | 29.3 |
| | LRA | 112.3 | 94 | 127.1 | 118 |
| | Crankcase Heater | Yes | Yes | Yes | Yes |
| Condenser Coil | Throttle Type | Tube & Fin | Tube & Fin | Tube & Fin | Tube & Fin |
| | Tube Size(O.D.) | 3/16 | 3/16 | 9/32 | 9/32 |
| | Motor Type | ECM | ECM | ECM | ECM |
| Fan Motor | Horsepower (HP) | 1-1/3 | 1-1/3 | 1-1/3 | 1-1/3 |
| | Full Load Amps (FLA) | 2.2 | 2.2 | 2.2 | 2.2 |
| | Liquid Valve Size (O.D.) | 3/8 | 3/8 | 3/8 | 3/8 |
| Refrigeration System | Suction Valve Size (O.D.) | 7/8 | 7/8 | 7/8 | 7/8 |
| | Liquid Line Size ("O.D.) | 3/8 | 3/8 | 3/8 | 3/8 |
| | Suction Line Size ("O.D.) | 7/8 | 11/8 | 11/8 | 11/8 |
| | Refrigerant Charge (lbs. - oz.) | 8 LBS.-7 OZ | 8 LBS.-7 OZ | 11 LBS.-5 OZ | 10 LBS.-14 OZ |
| | Superheat(°F) | 9 °F | 9 °F | 9 °F | 9 °F |
| | Operation Range | Cooling(°F) | 55-115 | 55-115 | 55-115 |
| Heating(°F) | | 5-86 | 5-86 | 5-86 | 5-86 |
| Sound Power (db) | | 76 | 76 | 78 | 79 |

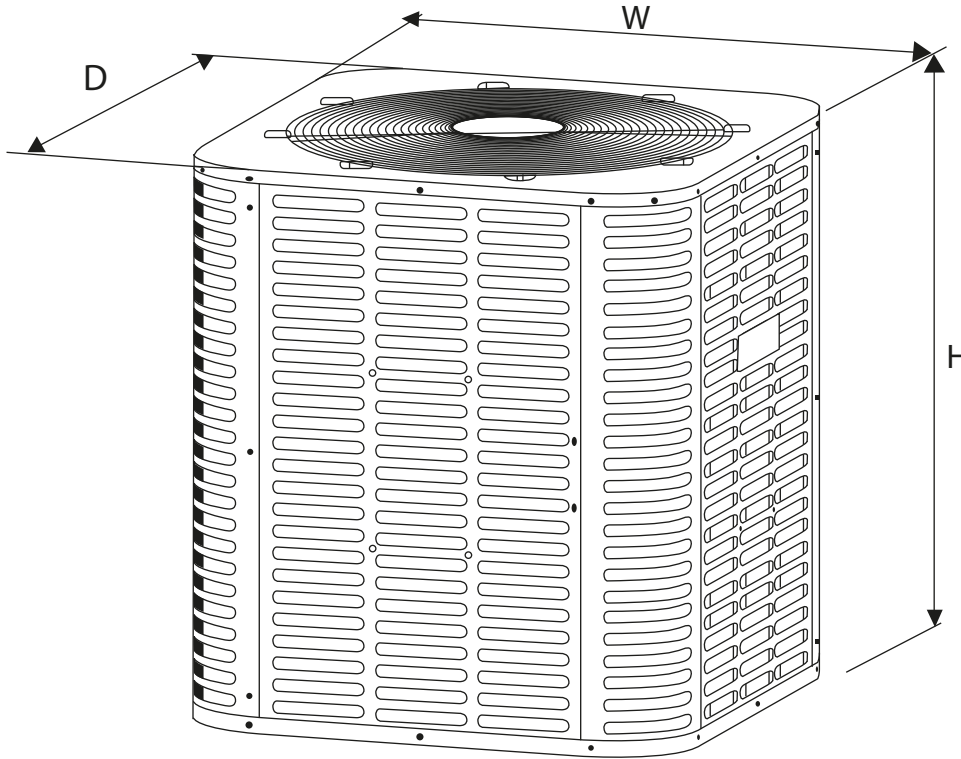


BAH5 Series Heat Pump

Condensing Units
1.5 up to 5 Tons

UP TO
15.2 SEER2

OUTDOOR UNIT DIMENSION



UNIT DIMENSION AND WEIGHTS

| Unit Dimensions | | | |
|-----------------|-----------|-----------|-----------|
| Model | H(inches) | W(inches) | D(inches) |
| 18 | 24-15/16 | 23-5/8 | 23-5/8 |
| 24 | 24-15/16 | 28 | 28 |
| 30 | 24-15/16 | 28 | 28 |
| 36 | 33-3/16 | 28 | 28 |
| 42/48/60/61 | 33-3/16 | 29-1/8 | 29-1/8 |

LUC5 Series

MULTI-POSITION AIR HANDLERS

1.5 Tons up to 5 Tons

18,000 Thru
60,000 btu

14.3 SEER2



LUC5 Series

Multi-Position Air Handlers
1.5 Tons up to 5 Tons

14.3 SEER2

FEATURES:

- Factory sealed cabinet helps achieve 2% or less leakage rate.
- Horizontal and vertical condensate pans are standard.
- Blower wheel and coil can easily slide out for easier maintenance.
- Field Installed Heater Kits are OPTIONAL: 5/ 7.5/ 10/ 15/ 20KW
- Factory Installed Piston for metering
- 2-stage fan control
- AHRI/ETL
- Mobile Home Certification.



SPECIFICATIONS

| Indoor unit | | LUC5-18-15 | LUC5-24-15 | LUC5-36-15 | LUC5-48-15 | LUC5-60-15 | |
|-------------------------------|----------------------|------------|----------------------|----------------------|----------------------|---------------------------|---------------------------|
| Power supply | Rated Voltage | V-Ph-Hz | 208/230V,1Ph,60Hz | 208/230V,1Ph,60Hz | 208/230V,1Ph,60Hz | 208/230V,1Ph,60Hz | 208/230V,1Ph,60Hz |
| | Min. / Max. Voltage | V | 187/253 | 187/253 | 187/253 | 187/253 | 187/253 |
| Cooling | Cooling Capacity | Btu/w | 18000 | 23600 | 34000 | 45000 | 54000 |
| | EER2 | Btu/w | 11.7 | 11.7 | 11.7 | 11.7 | 11.2 |
| | SEER2 | Btu/w | 14.3 | 14.3 | 14.3 | 14.3 | 13.8 |
| Min. Circuit Amps | | A | 1.9 | 2.9 | 3.3 | 4.2 | 5.7 |
| Max. over current protection | | A | 15 | 15 | 15 | 15 | 15 |
| Indoor fan motor | Type | | PSC | PSC | PSC | PSC | PSC |
| | Horsepower (HP) | | 1/5 | 1/4 | 1/2 | 1/2 | 3/4 |
| | Full Load Amps (FLA) | A | 1.5 | 2.3 | 2.6 | 3.3 | 4.5 |
| | Rated RPM | | 755 | 903 | 865 | 925 | 990 |
| Fan Blower | Material | | Metal | Metal | Metal | Metal | Metal |
| | Type | | Centrifugal | Centrifugal | Centrifugal | Centrifugal | Centrifugal |
| | Diameter | inch | 10-5/8 | 13 | 13 | 13 | 13 |
| | Height | inch | 10-3/4 | 10-5/8 | 10-5/8 | 10-5/8 | 10-5/8 |
| Indoor coil | Type | | Tube & Fin | Tube & Fin | Tube & Fin | Tube & Fin | Tube & Fin |
| | Tube Material | | Aluminum | Aluminum | Aluminum | Aluminum | Aluminum |
| | Tube Size | inch | 9/32 | 9/32 | 9/32 | 9/32 | 9/32 |
| Indoor air flow (Hi/Mi/Lo) | | CFM | 406/588/688 | 612/747/988 | 647/865/1082 | 1047/1353/1582 | 1424/1594/1724 |
| Indoor noise level (Hi/Mi/Lo) | | dB(A) | 48/47/42 | 50/48/44 | 50/48/44 | 54/52/49 | 56/54/51 |
| Indoor unit | Dimension(W*D*H) | inch | 18-1/8x20-1/2x41-3/8 | 19-5/8x21-5/8x46-1/2 | 19-5/8x21-5/8x46-1/2 | 22x24x54-1/2 | 22x24x54-1/2 |
| | Packing (W*D*H) | inch | 20-3/4x24-3/16x42 | 20-3/4x25-3/8x47-1/8 | 20-3/4x25-3/8x47-1/8 | 24-11/16x27-11/16x55-3/16 | 24-11/16x27-11/16x55-3/16 |
| | Net/Gross weight | lbs | 108 | 128 | 128 | 159 | 161 |
| Refrigerant piping | Liquid side | inch | 3/8 | 3/8 | 3/8 | 3/8 | 3/8 |
| | Gas side | inch | 3/4 | 3/4 | 3/4 | 7/8 | 7/8 |
| Thermostat type | | | Remote Control | Remote Control | Remote Control | Remote Control | Remote Control |
| Operating temperature range | Cooling | °F | 55-115 | 55-115 | 55-115 | 55-115 | 55-115 |
| | Heating | °F | / | / | / | / | / |



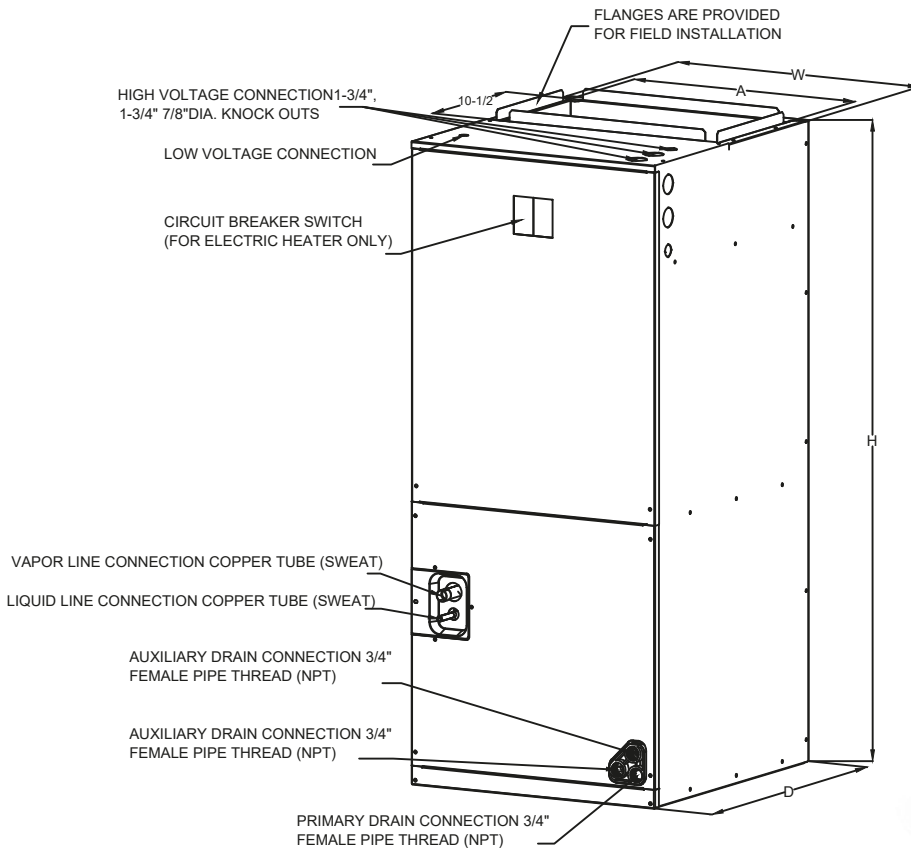
LUC5 Series

Multi-Position Air Handlers
1.5 Tons up to 5 Tons

14.3 SEER2



SPECIFICATIONS



UNIT DIMENSION AND WEIGHTS



| UNIT DIMENSION AND WEIGHTS | LUC5-18-15 | LUC5-24-15 | LUC5-36-15 | LUC5-48-15 | LUC5-60-15 |
|----------------------------|------------|------------|------------|------------|------------|
| Height(in.) | 41-3/8 | 46-1/2 | 46-1/2 | 54-1/2 | 54-1/2 |
| Width(in.) | 18-1/8 | 19-5/8 | 19-5/8 | 22 | 22 |
| Depth(in.) | 20-1/2 | 21-5/8 | 21-5/8 | 24 | 24 |
| Weight(lbs.) | 108 | 128 | 128 | 159 | 161 |

Heating Kit (Optional)

| PART No. | DESCRIPTION |
|----------|-------------------|
| CHE2-05 | 5kw |
| CHE2-05B | 5kw with breaker |
| CHE2-08 | 8kw |
| CHE2-08B | 8kw with breaker |
| CHE2-10 | 10kw |
| CHE2-10B | 10kw with breaker |
| CHE2-15B | 15kw with breaker |
| CHE2-20B | 20kw with breaker |

TXV Valve

| PART No. | DESCRIPTION |
|----------|-------------------|
| TR6-3T | TXV-FOR 18K - 24K |
| TR6-4T | TXV-FOR 36K - 42K |

| PART No. | DESCRIPTION |
|----------|-------------|
| TR6-5T | TXV-FOR 48K |
| TR6-6T | TXV-FOR 60K |

LCM5 Series

MULTI-POSITION AIR HANDLERS

2 Tons up to 5 Tons

24,000 Thru
60,000 btu

UP TO
15.2 SEER2



LCM5 Series

Multi-Position Air Handlers 2 Tons up to 5 Tons

UP TO
15.2 SEER2



FEATURES:

- Factory sealed cabinet helps achieve 2% or less leakage rate.
- Horizontal and vertical condensate pans are standard.
- Blower wheel and coil can easily slide out for easier maintenance.
- Field Installed Heater Kits are OPTIONAL: 5/ 7.5/ 10/ 15/ 20KW
- Multi-speed, constant torque, ECM blower motor
- 2-stage fan control
- AHRI/ETL
- Mobile Home Certification.

SPECIFICATIONS

| Indoor unit | | | LCM5-24-15 | LCM5-36-15 | LCM5-60-15 | LCM5-61-15 |
|-------------------------------|----------------------|---------|----------------------|----------------------|---------------------------|---------------------------|
| Power supply | Rated Voltage | V-Ph-Hz | 208/230V,1Ph,60Hz | 208/230V,1Ph,60Hz | 208/230V,1Ph,60Hz | 208/230V,1Ph,60Hz |
| | Min. / Max. Voltage | V | 187/253 | 187/253 | 187/253 | 187/253 |
| Cooling | Cooling Capacity | Btu/w | 24000 | 34200 | 54500 | 55000 |
| | EER2 | Btu/w | 12 | 12 | 11.7 | 11.2 |
| | SEER2 | Btu/w | 15.2 | 15.2 | 14.3 | 15.2 |
| Min. Circuit Amps | Type | A | 3.3 | 3.8 | 5.7 | 5.7 |
| Max. over current protection | | A | 15 | 15 | 15 | 15 |
| Indoor fan motor | | | ECM | ECM | ECM | ECM |
| | Horsepower (HP) | | 1/3 | 1/2 | 3/4 | 3/4 |
| | Full Load Amps (FLA) | A | 2.6 | 3.0 | 4.5 | 4.5 |
| | Rated RPM | | 1050 | 1050 | 1050 | 1050 |
| Fan Blower | Material | | Metal | Metal | Metal | Metal |
| | Type | | Centrifugal | Centrifugal | Centrifugal | Centrifugal |
| | Diameter | inch | 10-5/8 | 13 | 13 | 13 |
| | Height | inch | 8-1/8 | 10-5/8 | 10-5/8 | 10-5/8 |
| Indoor coil | Type | | Tube & Fin | Tube & Fin | Tube & Fin | Tube & Fin |
| | Tube Material | | Aluminum | Aluminum | Aluminum | Aluminum |
| | Tube Size | inch | 9/32 | 9/32 | 9/32 | 9/32 |
| Indoor air flow (Hi/Mi/Lo) | | CFM | 441/553/776 | 665/788/994 | 1135/1365/1506 | 1171/1376/1506 |
| Indoor noise level (Hi/Mi/Lo) | | dB(A) | 49 | 51 | 55 | 56 |
| Indoor unit | Dimension(W*D*H) | inch | 18-1/8x20-1/2x41-3/8 | 19-5/8x21-5/8x46-1/2 | 22x24x54-1/2 | 22x24x54-1/2 |
| | Packing (W*D*H) | inch | 20-3/4x24-3/16x42 | 20-3/4x25-3/8x47-1/8 | 24-11/16x27-11/16x55-3/16 | 24-11/16x27-11/16x55-3/16 |
| | Net/Gross weight | lbs | 101 | 125 | 159 | 161 |
| Refrigerant piping | Liquid side | inch | 3/8 | 3/8 | 3/8 | 3/8 |
| | Gas side | inch | 3/4 | 3/4 | 3/4 | 7/8 |
| Thermostat type | | | Remote Control | Remote Control | Remote Control | Remote Control |
| Operating temperature range | Cooling | °F | 55-115 | 55-115 | 55-115 | 55-115 |
| | Heating | °F | / | / | / | / |

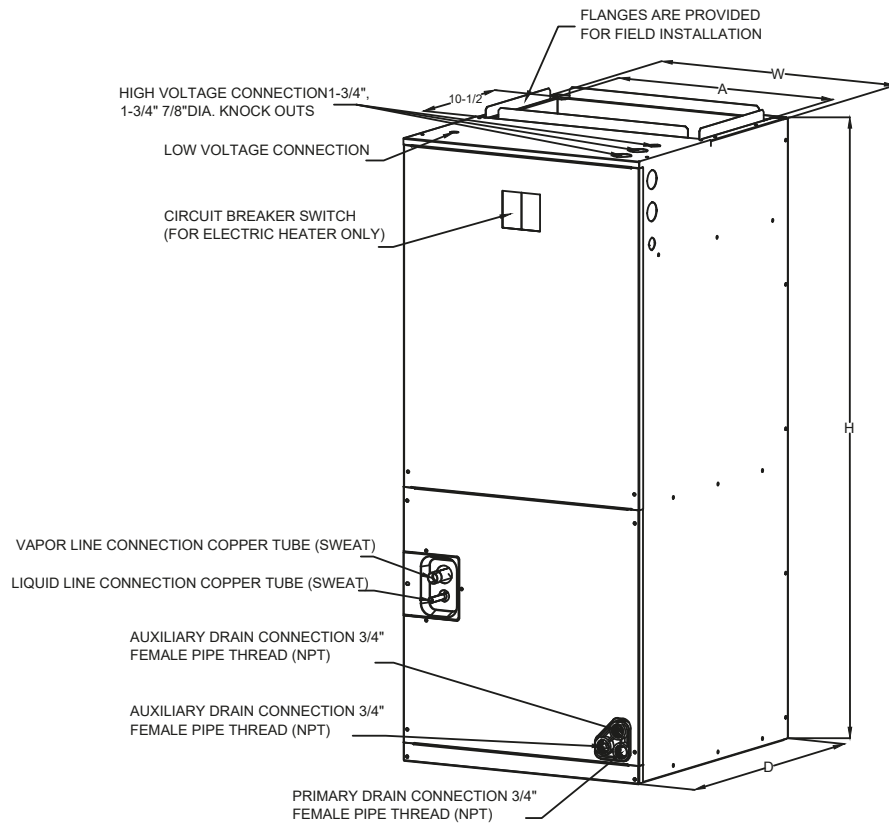


LCM5 Series

Multi-Position Air Handlers
2 Tons up to 5 Tons

UP TO
15.2 SEER2

SPECIFICATIONS



UNIT DIMENSION AND WEIGHTS



| | LCM5-24-15 | LCM5-36-15 | LCM5-60-15 | LCM5-61-15 |
|--------------|------------|------------|------------|------------|
| Width(in.) | 41-3/8 | 46-1/2 | 54-1/2 | 54-1/2 |
| Depth(in.) | 18-1/8 | 19-5/8 | 22 | 22 |
| Depth(in.) | 20-1/2 | 21-5/8 | 24 | 24 |
| Weight(lbs.) | 101 | 125 | 159 | 161 |

Heating Kit (Optional)

| PART No. | DESCRIPTION |
|----------|-------------------|
| CHE2-05 | 5kw |
| CHE2-05B | 5kw with breaker |
| CHE2-08 | 8kw |
| CHE2-08B | 8kw with breaker |
| CHE2-10 | 10kw |
| CHE2-10B | 10kw with breaker |
| CHE2-15B | 15kw with breaker |
| CHE2-20B | 20kw with breaker |

TXV Valve

| PART No. | DESCRIPTION |
|----------|-------------------|
| TR6-3T | TXV-FOR 18K - 24K |
| TR6-4T | TXV-FOR 36K - 42K |

| PART No. | DESCRIPTION |
|----------|-------------|
| TR6-5T | TXV-FOR 48K |
| TR6-6T | TXV-FOR 60K |



CWM5 Series

WALL MOUNTED ECM AIR HANDLERS

2 Tons up to 3 Tons

UP TO
15.2 SEER2

24,000 Thru
36,000 btu



CWM5 Series

Wall Mounted Air Handlers
2 Tons up to 3 Tons

UP TO
15.2 SEER2

FEATURES:

- Direct drive multi speed motor
- ECM motor
- Thermoplastic drain pan with bottom primary and secondary drain connections.
- Built-in filter rack.
- Wall-hanging bracket provided.
- Front or bottom return available.
- Optional heating elements of 5kW, 8kW, and 10kW.
- All aluminum coil.



SPECIFICATIONS

| Indoor unit | | | CWM5-24-15 | CWM5-30-15 | CWM5-36-15 |
|-------------------------------|----------------------|---------|-------------------------|-----------------------|-----------------------|
| Power supply | Rated Voltage | V-Ph-Hz | 208/230V,1Ph,60Hz | 208/230V,1Ph,60Hz | 208/230V,1Ph,60Hz |
| | Min. / Max. Voltage | V | 187/253 | 187/253 | 187/253 |
| Cooling | Cooling Capacity | Btu/w | 23200 | 28800 | 35600 |
| | EER2 | Btu/w | 11.7 | 12.00 | 11.7 |
| | SEER2 | Btu/w | 14.3 | 15.2 | 14.3 |
| Min. Circuit Amps | | A | 2.4 | 3.4 | 3.4 |
| Max. over current protection | | A | 15 | 15 | 15 |
| Indoor fan motor | Type | | ECM | ECM | ECM |
| | Horsepower (HP) | | 1/3 | 1/2 | 1/2 |
| | Full Load Amps (FLA) | A | 1.9 | 2.6 | 2.6 |
| | Rated RPM | | 1050 | 1050 | 1050 |
| Fan Blower | Material | | Metal | Metal | Metal |
| | Type | | Centrifugal | Centrifugal | Centrifugal |
| | Diameter | inch | 10-3/4 | 10-3/4 | 10-3/4 |
| | Height | inch | 6 | 8 | 8 |
| Indoor coil | Type | | Tube & Fin | Tube & Fin | Tube & Fin |
| | Tube Material | | Aluminum | Aluminum | Aluminum |
| | Tube Size | inch | 9/32 | 9/32 | 9/32 |
| Indoor air flow (Hi/Mi/Lo) | | CFM | 665/812/835 | 729/941/1100 | 941/1100/1153 |
| Indoor noise level (Hi/Mi/Lo) | | dB(A) | 54 | 54 | 54 |
| Indoor unit | Dimension(W*D*H) | inch | 20-1/2x15x36-1/2 | 22x19x39-1/2 | 22x19x39-1/2 |
| | Packing (W*D*H) | inch | 22-13/16x17-5/16x41-3/4 | 24-3/16x21-1/4x44-7/8 | 24-3/16x21-1/4x44-7/8 |
| | Net/Gross weight | lbs | 79/95 | 97/119 | 97/119 |
| Refrigerant piping | Liquid side | inch | 3/8 | 3/8 | 3/8 |
| | Gas side | inch | 3/4 | 3/4 | 3/4 |
| Thermostat type | | | Remote Control | Remote Control | Remote Control |
| Operating temperature range | Cooling | °F | 55-115 | 55-115 | 55-115 |
| | Heating | °F | / | / | / |



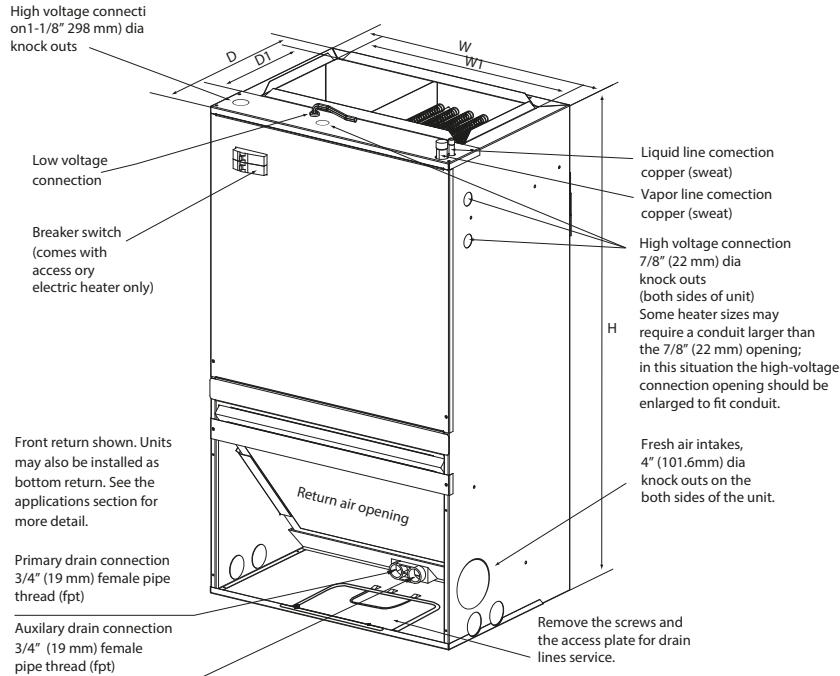
CWM5 Series

Wall Mounted Air Handlers
2 Tons up to 3 Tons

UP TO
15.2 SEER2



SPECIFICATIONS



UNIT DIMENSION AND WEIGHTS

| Model | Dimensions [IN.] | | | | | Unit Weight/Shipping Weight Lbs. |
|------------|---------------------|--------------------|---------------------|--------------------|---------------------|----------------------------------|
| | Unit Height "H" IN. | Unit Width "W" IN. | Unit Width "W1" IN. | Unit Depth "D" IN. | Unit Depth "D1" IN. | |
| Width(in.) | 36-1/2 | 20-1/2 | 17-2/5 | 15 | 9-1/2 | 79/95 |
| Depth(in.) | 39-1/2 | 22 | 18-4/5 | 19 | 9-1/2 | 97/119 |



CWM5-R Series WALL MOUNTED PSC AIR HANDLERS

1.5 Tons up to 3 Tons

18,000 Thru
36,000 btu

14.3 SEER2



CWM5-R Series

Wall Mounted Air Handlers
1.5 Tons up to 3 Tons

14.3 SEER2



FEATURES:

- Direct drive multi speed motors allow air volume variation for heating / cooling
- Multi speed PSC motor
- Thermoplastic drain pan with bottom primary and secondary drain connections.
- Built-in filter rack.
- Wall-hanging bracket provided.
- Front or bottom return available.
- Optional heating elements of 5kW, 8kW, and 10kW.
- All aluminum coil.

SPECIFICATIONS

| OUTDOOR UNIT | | CWM5-18-15R | CWM5-24-15R | CWM5-30-15R | CWM5-36-15R |
|-----------------------------|--------------------------|-------------|-------------|-------------|-------------|
| Nominal Capacity | Cooling (BTU/h) | 18,000 | 24,000 | 30,000 | 36,000 |
| | Pressure (in.w.c) | 0.7 | 0.6 | 0.6 | 0.6 |
| Electrical Data | Voltage / Phase (60 Hz) | 208/230 / 1 | 208/230 / 1 | 208/230 / 1 | 208/230 / 1 |
| | Min. / Max. Voltage | 187/253 | 187/253 | 187/253 | 187/253 |
| | Min. Circuit Amps | 1 | 1.3 | 1.6 | 2.3 |
| | Max. Overcurrent | 15 | 15 | 15 | 15 |
| Fan Motor | Motor Type | PSC | PSC | PSC | PSC |
| | Capacitor (uF) | 6 | 6 | 15 | 10 |
| | Horsepower (HP) | 1/6 | 1/4 | 1/3 | 1/2 |
| | Rated RPM | 1075 | 1075 | 1075 | 1075 |
| Fan Blower | Material | Metal | Metal | Metal | Metal |
| | Type | Centrifugal | Centrifugal | Centrifugal | Centrifugal |
| | Diameter (in) | 10-3/4 | 10-3/4 | 10-3/4 | 10-3/4 |
| | Height (in) | 6 | 6 | 8 | 8 |
| Evaporator Coil | Type | Tube & Fin | Tube & Fin | Tube & Fin | Tube & Fin |
| | Tube Material | Aluminum | Aluminum | Aluminum | Aluminum |
| | Tube Size (in) | 9/32 | 9/32 | 9/32 | 9/32 |
| Unit Dimensions (inch) | Height | 36-1/2 | 36-1/2 | 39-1/2 | 39-1/2 |
| | Width | 20-1/2 | 20-1/2 | 22 | 22 |
| | Depth | 15 | 15 | 19 | 19 |
| Sound Power (dB) | | 50 | 54 | 54 | 54 |
| Refrigerant Connection Size | Liquid Line Size (O.D.) | 3/8 | 3/8 | 3/8 | 3/8 |
| | Suction Line Size (O.D.) | 3/4 | 3/4 | 3/4 | 3/4 |





CHX(CD) Series

CEILING-MOUNTED CONCEALED FAN COIL UNITS

1.5 Tons up to 3 Tons

18,000 Thru
36,000 btu



CHX(CD) Series

Concealed Fan Coil Units 18,000 Thru 36,000 btu



FEATURES:

- Cabinet - Our cabinets are built for durability and corrosion resistance, ensuring reliability. They not only prevent energy loss but also effectively eliminate condensation.
- All-Aluminum coil provides excellent heat transfer and efficiency.
- It is more durable in contrast to traditional copper coils, it is more resilient and has a lower likelihood of refrigerant leakage into the atmosphere.
- The integrated drain pan, crafted from rust-resistant material, features a unique design with a gentle slope to effectively eliminate standing water.
- The Variable Speed Blower motor enables gradual start up and shutdown, leading to reduced energy consumption. This results in improved air quality and a consistently comfortable temperature. Additionally, it possesses the ability to minimize sound for a quiet operation while saving energy.
- Blower compartment
- Exquisite design-Super slim appearance and compact structure will save installation space.



SPECIFICATIONS

| OUTDOOR UNIT | | CHX18CD | CHX24CD | CHX30CD | CHX36CD |
|------------------------|-----------------------------|-------------|-------------|-------------|-------------|
| Nominal Capacity | Cooling (BTU/h) | 18,000 | 24,000 | 30,000 | 36,000 |
| | Pressure(in.w.g)(Pa) | 45 | 45 | 60 | 60 |
| Electrical Data | Voltage / Phase(60Hz) | 208/230/1 | 208/230/1 | 208/230/1 | 208/230/1 |
| | Min. / Max. Voltage | 187/253 | 187/253 | 187/253 | 187/253 |
| | Min. Circuit Amps | 3.3 | 3.3 | 3.3 | 3.3 |
| | Max. Overcurrent Protection | 15 | 15 | 15 | 15 |
| Fan Motor | Motor Type | ECM | ECM | ECM | ECM |
| | Capacitor (uF) | / | / | / | / |
| | Horsepower (HP) | 1/3 | 1/3 | 1/3 | 1/3 |
| | Rated RPM | 1050 | 1050 | 1050 | 1050 |
| | Full Load Amps (FLA) | 2.6 | 2.6 | 2.6 | 2.6 |
| Fan Blower | Material | Metal | Metal | Metal | Metal |
| | Type | Centrifugal | Centrifugal | Centrifugal | Centrifugal |
| | Diameter(in.) | 7 | 7 | 7 | 7 |
| | Height(in.) | 8 | 8 | 9 | 9 |
| Evaporator Coil | Type Tube | Tube & Fin | Tube & Fin | Tube & Fin | Tube & Fin |
| | Material | Aluminum | Aluminum | Aluminum | Aluminum |
| | Tube Size(in.) | 9/32 | 9/32 | 9/32 | 9/32 |
| Sound Power | (dB) | 57 | 57 | 54 | 54 |
| Refrigerant Connection | Liquid Line Size (O.D.) | 3/8 | 3/8 | 3/8 | 3/8 |
| | Suction Line Size (O.D.) | 3/4 | 3/4 | 3/4 | 3/4 |

Heaters are optional:

| PART No. | DESCRIPTION |
|----------|--------------------------|
| CHF05B | 5KW HEATER WITH BREAKER |
| CHF08B | 8KW HEATER WITH BREAKER |
| CHF10B | 10KW HEATER WITH BREAKER |



MATCH UP TABLE

BAR5 Series
Cooling Units

UP TO
15.2 SEER2



CWM5 ECM Series

| Outdoor Unit | Indoor Unit | Cooling Capacity | EER2 | SEER2 |
|--------------|-------------|------------------|------|-------|
| BAR5-18-15 | CWM5-24-15 | 18000 | 11.7 | 14.3 |
| BAR5-24-15 | CWM5-24-15 | 23200 | 11.7 | 14.3 |
| BAR5-24-15 | CWM5-30-15 | 24000 | 12 | 15.2 |
| BAR5-30-15 | CWM5-24-15 | 27200 | 11.7 | 14.3 |
| BAR5-30-15 | CWM5-30-15 | 28800 | 12 | 15.2 |
| BAR5-30-15 | CWM5-36-15 | 28800 | 12 | 15.2 |
| BAR5-36-15 | CWM5-30-15 | 35600 | 11.7 | 14.3 |
| BAR5-36-15 | CWM5-36-15 | 35600 | 11.7 | 14.3 |



CWM5-R PSC Series

| Outdoor Unit | Indoor Unit | Cooling Capacity | EER2 | SEER2 |
|--------------|-------------|------------------|------|-------|
| BAR5-24-15 | CWM5-24-15R | 23200 | 11.7 | 14.3 |
| BAR5-24-15 | CWM5-30-15R | 24000 | 11.7 | 14.3 |
| BAR5-30-15 | CWM5-36-15R | 28400 | 11.7 | 14.3 |
| BAR5-36-15 | CWM5-36-15R | 35000 | 11.7 | 14.3 |
| BAR5-36-15 | CWM5-30-15R | 35000 | 11.7 | 14.3 |



LUC5 Series

| Outdoor Unit | Indoor Unit | Cooling Capacity | EER2 | SEER2 |
|--------------|----------------|------------------|------|-------|
| BAR5-18-15 | LUC5-18-15+TXV | 18000 | 11.7 | 14.3 |
| BAR5-18-15 | LUC5-24-15+TXV | 18000 | 11.7 | 14.3 |
| BAR5-24-15 | LUC5-18-15+TXV | 23200 | 11.7 | 14.3 |
| BAR5-24-15 | LUC5-24-15 | 23600 | 11.7 | 14.3 |
| BAR5-24-15 | LUC5-36-15+TXV | 23800 | 11.7 | 14.3 |
| BAR5-30-15 | LUC5-24-15 | 28400 | 11.7 | 14.3 |
| BAR5-30-15 | LUC5-36-15 | 28600 | 11.7 | 14.3 |
| BAR5-30-15 | LUC5-48-15 | 28800 | 11.7 | 14.3 |
| BAR5-36-15 | LUC5-24-15 | 34000 | 11.7 | 14.3 |
| BAR5-36-15 | LUC5-36-15 | 34000 | 11.7 | 14.3 |
| BAR5-36-15 | LUC5-48-15 | 34800 | 11.7 | 14.3 |
| BAR5-42-15 | LUC5-48-15+TXV | 41500 | 11.7 | 14.3 |
| BAR5-48-15 | LUC5-60-15 | 45000 | 11.2 | 13.8 |
| BAR5-48-15 | LUC5-48-15+TXV | 44500 | 11.7 | 14.3 |
| BAR5-60-15 | LUC5-60-15+TXV | 54000 | 11.2 | 13.8 |



MATCH UP TABLE

BAR5 Series
Cooling Units

UP TO
15.2 SEER2



LCM5 Series

| Outdoor Unit | Indoor Unit | Cooling Capacity | EER2 | SEER2 |
|--------------|----------------|------------------|------|-------|
| BAR5-18-15 | LCM5-36-15 | 18000 | 11.7 | 14.3 |
| BAR5-18-15 | LCM5-24-15+TXV | 18000 | 12 | 15.2 |
| BAR5-24-15 | LCM5-24-15+TXV | 24000 | 12 | 15.2 |
| BAR5-24-15 | LCM5-36-15 | 24000 | 12 | 15.2 |
| BAR5-30-15 | LCM5-24-15 | 28000 | 11.7 | 14.3 |
| BAR5-30-15 | LCM5-36-15 | 28800 | 12 | 15.2 |
| BAR5-36-15 | LCM5-36-15+TXV | 34200 | 12 | 15.2 |
| BAR5-42-15 | LCM5-36-15 | 40000 | 11.7 | 14.3 |
| BAR5-42-15 | LCM5-60-15 | 41500 | 12 | 15.2 |
| BAR5-48-15 | LCM5-60-15 | 45000 | 12 | 15.2 |
| BAR5-60-15 | LCM5-60-15 | 54500 | 11.7 | 14.3 |
| BAR5-61-15 | LCM5-61-15 | 55000 | 11.2 | 15.2 |



CHX(CD) Series

| Outdoor Unit | Indoor Unit | Cooling Capacity | EER2 | SEER2 |
|--------------|-------------|------------------|------|-------|
| BAR5-18-15 | CHX18CD | 18000 | 11.7 | 14.3 |
| BAR5-24-15 | CHX24CD | 23000 | 11.7 | 14.3 |
| BAR5-30-15 | CHX30CD | 27200 | 11.7 | 14.3 |
| BAR5-36-15 | CHX36CD | 33000 | 11.7 | 14.3 |
| BAR5-24-15 | CHX30CD | 23000 | 11.7 | 14.3 |
| BAR5-18-15 | CHX30CD | 18000 | 11.7 | 14.3 |



MATCH UP TABLE

BAH5 Series
Heat Pump

UP TO
15.2 SEER2



CWM5 Series

| Outdoor Unit | Indoor Unit | Cooling Capacity | EER2 | SEER2 | Heating Capacity | HSPF2 |
|--------------|-------------|------------------|------|-------|------------------|-------|
| BAH5-18-15 | CWM5-24-15 | 18000 | 11.7 | 14.3 | 18000 | 7.5 |
| BAH5-24-15 | CWM5-24-15 | 23000 | 11.7 | 14.3 | 23000 | 7.5 |
| BAH5-24-15 | CWM5-30-15 | 24000 | 12.0 | 15.2 | 24000 | 7.8 |
| BAH5-30-15 | CWM5-30-15 | 27200 | 11.7 | 14.3 | 27400 | 7.5 |
| BAH5-30-15 | CWM5-36-15 | 27200 | 11.7 | 14.3 | 27400 | 7.5 |
| BAH5-36-15 | CWM5-36-15 | 34200 | 11.7 | 14.3 | 34200 | 7.5 |
| BAH5-36-15 | CWM5-30-15 | 34200 | 11.7 | 14.3 | 34200 | 7.5 |



CWM5-R Series

| Outdoor Unit | Indoor Unit | Cooling Capacity | EER2 | SEER2 | Heating Capacity | HSPF2 |
|--------------|-------------|------------------|------|-------|------------------|-------|
| BAH5-24-15 | CWM5-30-15R | 23800 | 11.7 | 14.3 | 23800 | 7.5 |
| BAH5-30-15 | CWM5-30-15R | 27200 | 11.7 | 14.3 | 27200 | 7.5 |
| BAH5-36-15 | CWM5-36-15R | 34200 | 11.7 | 14.3 | 34200 | 7.5 |
| BAH5-36-15 | CWM5-30-15R | 34200 | 11.7 | 14.3 | 34200 | 7.5 |



LUC5 Series

| Outdoor Unit | Indoor Unit | Cooling Capacity | EER2 | SEER2 | Heating Capacity | HSPF2 |
|--------------|----------------|------------------|------|-------|------------------|-------|
| BAH5-18-15 | LUC5-18-15+TXV | 18000 | 11.7 | 14.3 | 18000 | 7.5 |
| BAH5-24-15 | LUC5-24-15 | 23000 | 11.7 | 14.3 | 22800 | 7.5 |
| BAH5-24-15 | LUC5-36-15+TXV | 23000 | 11.7 | 14.3 | 22800 | 7.5 |
| BAH5-30-15 | LUC5-36-15+TXV | 28000 | 11.7 | 14.3 | 28000 | 7.5 |
| BAH5-30-15 | LUC5-24-15+TXV | 27600 | 11.7 | 14.3 | 27600 | 7.5 |
| BAH5-36-15 | LUC5-36-15+TXV | 34200 | 11.7 | 14.3 | 34200 | 7.5 |
| BAH5-36-15 | LUC5-48-15+TXV | 34600 | 11.7 | 14.3 | 34600 | 7.5 |
| BAH5-42-15 | LUC5-48-15+TXV | 42000 | 11.7 | 14.3 | 41000 | 7.5 |
| BAH5-48-15 | LUC5-48-15+TXV | 45000 | 11.7 | 14.3 | 45000 | 7.5 |



MATCH UP TABLE

BAH5 Series
Heat Pump

UP TO
15.2 SEER2



LCM5 Series

| Outdoor Unit | Indoor Unit | Cooling Capacity | EER2 | SEER2 | Heating Capacity | HSPF2 |
|--------------|----------------|------------------|------|-------|------------------|-------|
| BAH5-18-15 | LCM5-24-15+TXV | 18000 | 12.0 | 15.2 | 17200 | 7.5 |
| BAH5-24-15 | LCM5-24-15+TXV | 23200 | 11.7 | 14.3 | 22800 | 7.5 |
| BAH5-24-15 | LCM5-36-15+TXV | 23400 | 12.0 | 15.2 | 22800 | 7.8 |
| BAH5-30-15 | LCM5-24-15+TXV | 27400 | 11.7 | 14.3 | 27400 | 7.5 |
| BAH5-30-15 | LCM5-36-15+TXV | 28200 | 12.0 | 15.2 | 27600 | 7.8 |
| BAH5-36-15 | LCM5-36-15+TXV | 34200 | 12.0 | 15.2 | 34200 | 7.8 |
| BAH5-42-15 | LCM5-36-15+TXV | 40000 | 11.7 | 14.3 | 40000 | 7.5 |
| BAH5-42-15 | LCM5-60-15+TXV | 41500 | 12.0 | 15.2 | 41000 | 7.8 |
| BAH5-48-15 | LCM5-60-15+TXV | 45000 | 12.0 | 15.2 | 45000 | 7.8 |
| BAH5-60-15 | LCM5-60-15+TXV | 54500 | 11.7 | 14.3 | 55000 | 7.5 |
| BAH5-61-15 | LCM5-61-15 | 54000 | 10.5 | 15.2 | 58000 | 7.5 |



CHX(CD) Series

| Outdoor Unit | Indoor Unit | Cooling Capacity | EER2 | SEER2 | Heating Capacity |
|--------------|-------------|------------------|------|-------|------------------|
| BAH5-24-15 | CHX24CD | 23000 | 11.7 | 14.3 | 23000 |
| BAH5-30-15 | CHX30CD | 27000 | 11.7 | 14.3 | 27000 |
| BAH5-36-15 | CHX36CD | 32800 | 11.7 | 14.3 | 32800 |



CPH Series

**HEAT PUMP
HORIZONTAL DISCHARGE
PACKAGE UNITS**
2 Tons up to 5 Tons

24,000 Thru
60,000 btu

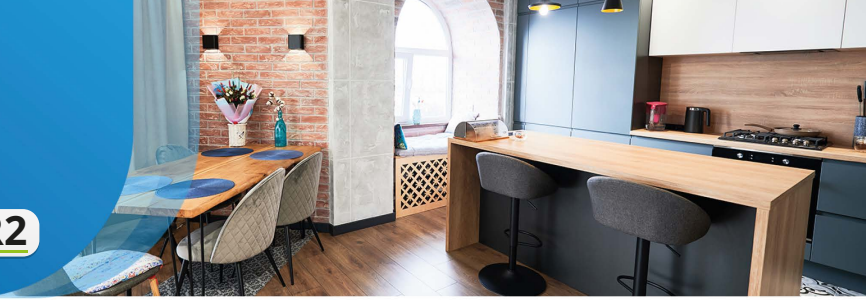
13.4 SEER2



CPH Series

Heat Pump Package Units
2 Tons up to 5 Tons

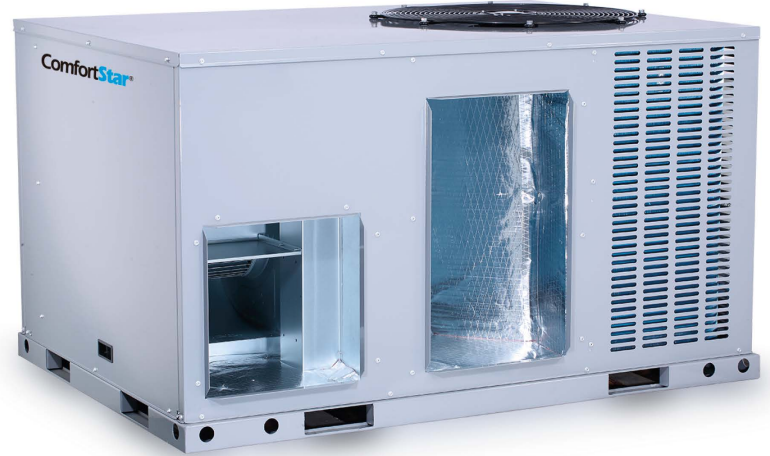
13.4 SEER2



Horizontal Discharge

FEATURES:

- Powder-painted galvanized steel cabinet.
- Electric heat kit available as a field-installed option:5/8/10/15/20kW.
- High efficiency compressor that operates smoothly, quietly and consistently.
- Internal safeguards that protect the compressor against high and low pressures, coil temperatures and power surge.
- Copper tube/aluminum fin coil.
- High efficiency ECM blower motor (not all models)
- AHRI/ETL



SPECIFICATIONS

| Model | | | CPH-24-15 | CPH-30-15 | CPH-36-15 |
|-------------------|--------------------|---------|--------------------|--------------------|--------------------|
| Power supply | | V-Ph-Hz | 208/230-1-60Hz | 208/230-1-60Hz | 208/230-1-60Hz |
| Cooling | Capacity | Btu/h | 22,800 | 28,200 | 34,200 |
| | SEER2 | Btu/h.W | 13.4 | 13.4 | 13.4 |
| Heating | Capacity | Btu/h | 22,400 | 28,200 | 34,200 |
| | HSPF | Btu/h.W | 6.7 | 6.7 | 6.7 |
| MCA | | A | 15.0 | 18.0 | 22.6 |
| MOP | | A | 20 | 25 | 35 |
| Compressor | Type | | Rotary | Rotary | Scroll |
| | Capacitor | | Single | Single | Single |
| | Rated current(RLA) | A | 9.2 | 10.2 | 13.0 |
| | Locked rotor(LRA) | A | 43.0 | 58.0 | 75.0 |
| Indoor fan motor | Type | | PSC | ECM | ECM |
| | Output | HP | 1/4 | 1/2 | 2/1/2023 |
| | Capacitor | uF | 12 | / | / |
| | RPM | r/min | 1,050 | 1050 | 1,050 |
| Outdoor coil | Type | | Tube & Fin | Tube & Fin | Tube & Fin |
| | Tube Size (O.D.) | inch | 9/32 | 9/32 | 3/16 |
| Outdoor fan motor | Type | | ECM | ECM | ECM |
| | Output | HP | 1/4 | 1/4 | 1/4 |
| | Capacitor | uF | / | / | / |
| | RPM | r/min | 800 | 980 | 980 |
| Sound Power | | dB(A) | 80.0 | 81.0 | 81.0 |
| Outdoor unit | Dimension(WxHxD) | inch | 52X24-13/16X37-3/4 | 52X24-13/16X37-3/4 | 52X24-13/16X37-3/4 |
| | Packing(WxHxD) | inch | 52-3/4X25-13/16X38 | 52-3/4X25-13/16X38 | 52-3/4X25-13/16X38 |
| | Net/Gross weight | lbs | 324/331 | 325/332 | 342/349 |



CPH Series

Heat Pump Package Units
2 Tons up to 5 Tons

13.4 SEER2



Horizontal Discharge



SPECIFICATIONS

| Model | | | CPH-42-15 | CPH-48-15 | CPH-60-15 |
|-------------------|--------------------|---------|------------------------|------------------------|------------------------|
| Power supply | | V-Ph-Hz | 208/230-1-60Hz | 208/230-1-60Hz | 208/230-1-60Hz |
| Cooling | Capacity | Btu/h | 40,500 | 46,500 | 57,000 |
| | SEER2 | Btu/h.W | 13.4 | 13.4 | 13.4 |
| Heating | Capacity | Btu/h | 40,500 | 47,000 | 57,000 |
| | HSPF | Btu/h.W | 6.7 | 6.7 | 6.7 |
| MCA | | A | 24.2 | 26.8 | 34.9 |
| MOP | | A | 35 | 40 | 55 |
| Compressor | Type | | Scroll | Scroll | Scroll |
| | Capacitor | | Single | Single | Single |
| | Rated current(RLA) | A | 15.2 | 17.3 | 21.5 |
| | Locked rotor(LRA) | A | 112.3 | 108.0 | 127.9 |
| Indoor fan motor | Type | | PSC | PSC | ECM |
| | Output | HP | 3/4 | 3/4 | 3/4 |
| | Capacitor | uF | / | 4 | / |
| | RPM | r/min | 1,050 | 1,050 | 1,050 |
| Outdoor coil | Type | | Tube & Fin | Tube & Fin | Tube & Fin |
| | Tube Size (O.D.) | inch | 3/16 | 3/16 | 9/32 |
| Outdoor fan motor | Type | | ECM | ECM | ECM |
| | Output | HP | 1/4 | 1/4 | 1/4 |
| | Capacitor | uF | / | / | / |
| | RPM | r/min | 980 | 980 | 980 |
| Sound Power | | dB(A) | 80.0 | 80.0 | 80.0 |
| Outdoor unit | Dimension(WxHxD) | inch | 58-1/2X33-1/16X42-1/16 | 58-1/2X33-1/16X42-1/16 | 58-1/2X33-1/16X42-1/16 |
| | Packing(WxHxD) | inch | 59-1/4X34-1/16X42-1/4 | 59-1/4X34-1/16X42-1/4 | 59-1/4X34-1/16X42-1/4 |
| | Net/Gross weight | lbs | 448/457 | 442/451 | 457/466 |



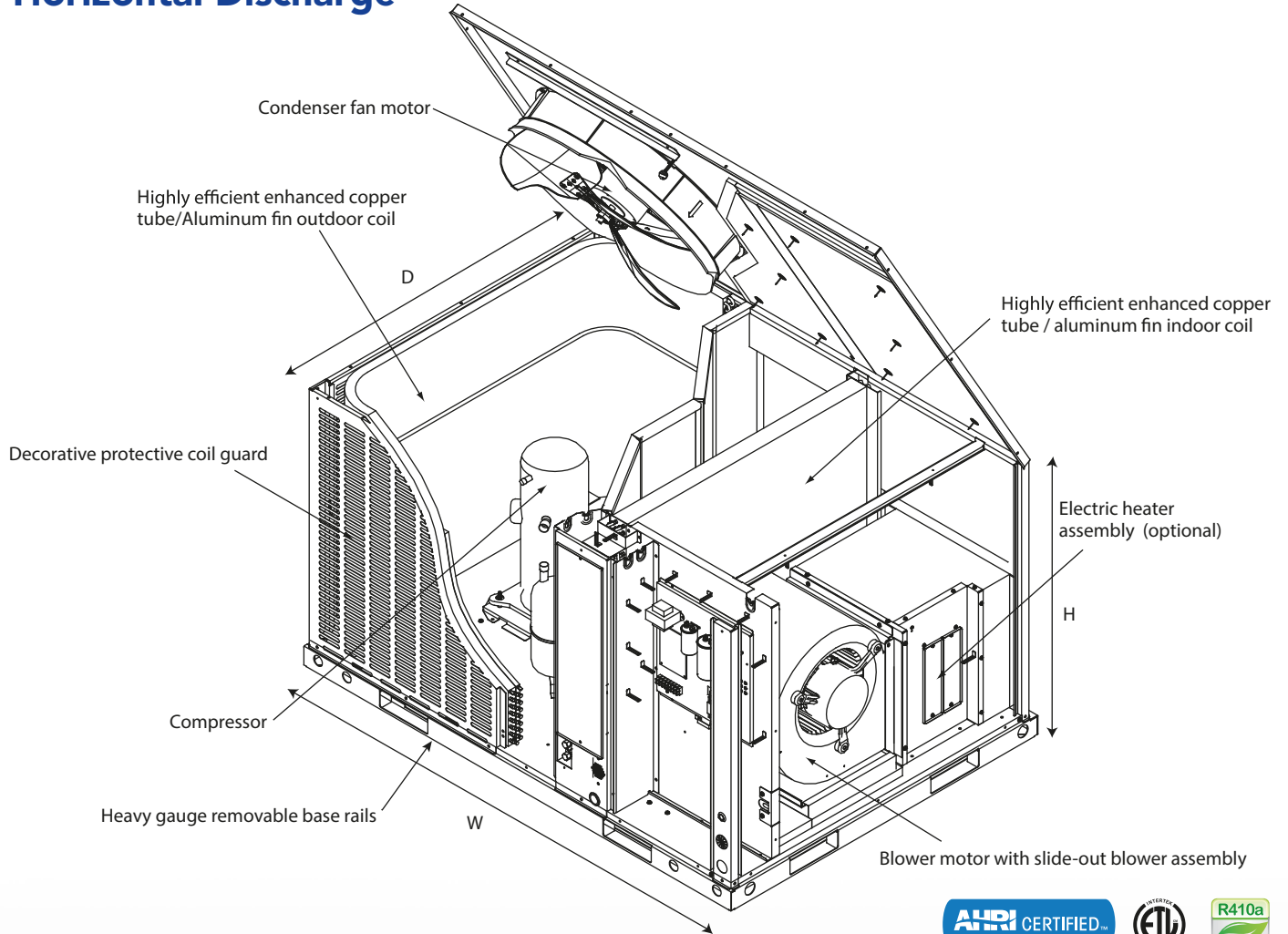
CPH Series

Heat Pump Package Units
2 Tons up to 5 Tons

13.4 SEER2



Horizontal Discharge



UNIT DIMENSION AND WEIGHTS

| Unit Dimension | 24K | 30K | 36K | 42K | 48K | 60K |
|----------------|----------|----------|----------|---------|---------|---------|
| Width(in.) | 52 | 52 | 52 | 58 1/2 | 58 1/2 | 58 1/2 |
| Depth(in.) | 37 3/4 | 37 3/4 | 37 3/4 | 42-1/16 | 42-1/16 | 42-1/16 |
| Height(in.) | 24-13/16 | 24-13/16 | 24-13/16 | 33 1/16 | 33 1/16 | 33 1/16 |

Heating Kit (Optional)

| PART No. |
|----------|
| EHK-086 |
| EHK-08G |
| EHK-106 |
| EHK-10G |
| EHK-156 |
| EHK-15G |

CDP Series

HEAT PUMP PACKAGE UNIT HORIZONTAL AND DOWNFLOW DISCHARGE

24,000 Thru
60,000 btu

13.4 SEER2



CDP Series

Heat Pump Package Units
2 Tons up to 5 Tons

13.4 SEER2



Horizontal and Downflow Discharge

FEATURES:

- High quality heat exchanger.
- Fits universal curb, convenient installation and replacement.
- Horizontal or downflow application.
- Convenient access panels, one side service.
- Rotatable control box, slide out design for blower motor (Easy for service).
- AHRI/ETL



SPECIFICATIONS

| Model | | CDP24-15 | CDP36-15 | CDP48-15 |
|------------------------------|-----------------------------|-------------------------------|-------------------------------|--------------------------|
| Power Supply | Volt-Ph-Hertz | 208/230-1-60 | 208/230-1-60 | 208/230-1-60 |
| Cooling | Cooling (BTU/h) | 22,800 | 34,000 | 46,500 |
| | EER2(BTU/h.w) | 11 | 11 | 11 |
| | SEER2 | 13.4 | 13.4 | 13.4 |
| Heating | Heating (BTU/h) | 22,800 | 34,200 | 48,000 |
| | HSPF2 | 6.7 | 6.7 | 6.7 |
| Compressor | Volts | 208/230 | 208/230 | 208/230 |
| | RLA | 10.0 | 16.0 | 23.0 |
| | LRA | 34.8 | 72.0 | 108.0 |
| | Type | Rotary | Rotary | Scroll |
| Condenser Fan Motor | Number Of Motors | 1 | 1 | 1 |
| | RPM | 880 | 830 | 1,050 |
| | Horsepower | 1/12 | 1/6 | 1/3 |
| | FLA | 0.61 | 1.0 | 1.9 |
| Evaporator Fan Motor | Number Of Motors | 1 | 1 | 1 |
| | No. Speeds | 1 | 1 | 1 |
| | Horsepower | 1/5 | 1/2 | 1/2 |
| | Nominal CFM | 660 | 855 | 890 |
| Refrigeration | Refrigerant Type | R410A | R410A | R410A |
| | Refrigerant Charge (lb-oz.) | 6-6 | 7-15 | 9-4 |
| Electrical Data | Minimum Circuit Ampacity | 15.1 | 24.2 | 35.2 |
| | Max. Overcurrent Protection | 25 | 40 | 50 |
| | Min / Max Volts | 187/253 | 187/253 | 187/253 |
| Dimensions and Weight | Equipment Weight (lbs) | 400 | 411 | 537 |
| | Shipping Weight (lbs) | 418 | 429 | 576 |
| | L x W x H | 50-11/16 x 35-1/16 x 46-13/16 | 50-11/16 x 35-1/16 x 46-13/16 | 50-9/16x46-13/16x51-7/16 |



CDP Series

Heat Pump Package Units
2 Tons up to 5 Tons

13.4 SEER2



Horizontal and Downflow Discharge



SPECIFICATIONS

| Model | | CDP60-15 | CDP60-15-T |
|-----------------------|-----------------------------|--------------------------|--------------------------|
| Power Supply | Volt-Ph-Hertz | 208/230-1-60 | 208/230-3-60 |
| Cooling | Cooling (BTU/h) | 57,000 | 57,000 |
| | EER2(BTU/h.w) | 11 | 11.8 |
| | SEER2 | 13.4 | 14.0 |
| Heating | Heating (BTU/h) | 57,000 | 57,000 |
| | HSPF2 | 6.7 | 8.0 |
| Compressor | Volts | 208/230 | 208/230 |
| | RLA | 26.0 | 22.0 |
| | LRA | 127.9 | 136.8 |
| | Type | Scroll | Scroll |
| Condenser Fan Motor | Number Of Motors | 1 | 1 |
| | RPM | 1,050 | 1,050 |
| | Horsepower | 1/3 | 1/3 |
| | FLA | 1.9 | 2.0 |
| Evaporator Fan Motor | Number Of Motors | 1 | 1 |
| | No. Speeds | 1 | 1 |
| | Horsepower | 3/4 | 3/4 |
| | Nominal CFM | 990 | 1,025 |
| Refrigeration | Refrigerant Type | R410A | R410A |
| | Refrigerant Charge (lb-oz.) | 11-14 | 6-10 |
| Electrical Data | Minimum Circuit Ampacity | 38.4 | 35.2 |
| | Max. Overcurrent Protection | 50 | 50 |
| | Min / Max Volts | 187/253 | 187/253 |
| Dimensions and Weight | Equipment Weight (lbs) | 568 | 557 |
| | Shipping Weight (lbs) | 607 | 596 |
| | L x W x H | 50-9/16x46-13/16x51-7/16 | 50-9/16x46-13/16x51-7/16 |



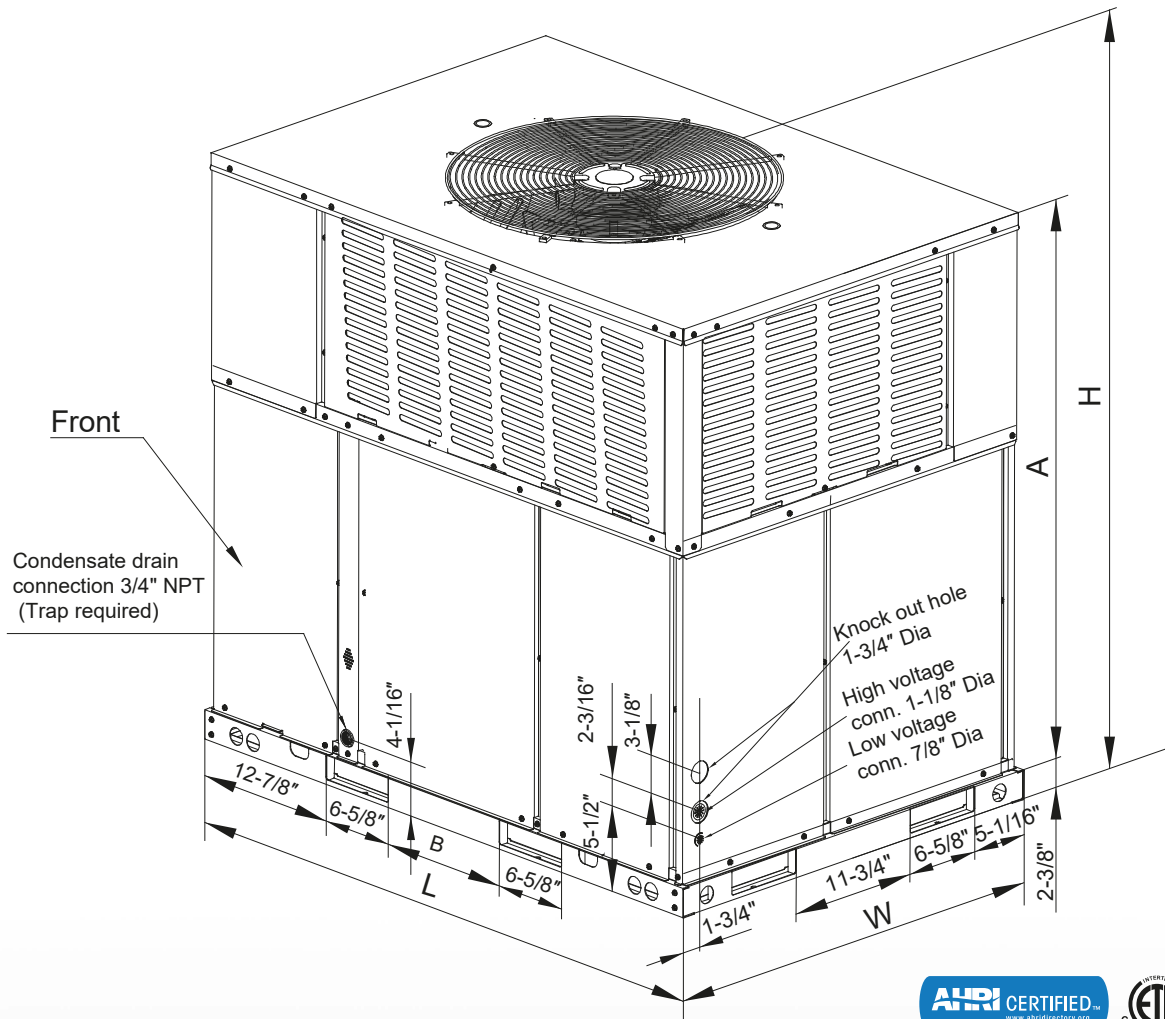
CDP Series

Heat Pump Package Units
2 Tons up to 5 Tons

13.4 SEER2



Horizontal and Downflow Discharge



UNIT DIMENSION AND WEIGHTS

| Model size | Dimensions | | | | |
|------------|------------|----------|----------|---------|----------|
| | "L" in. | "W" in. | "H" in. | "A" in. | "B" in. |
| Heat Pump | | | | | |
| 24/36 | 50-11/16 | 35-1/16 | 46-13/16 | 44-1/16 | 11-3/4 |
| 48/60 | 51-9/16 | 44-13/16 | 51-7/16 | 47-5/16 | 19-11/16 |

Heating Kit (Optional)

| PART No. |
|----------|
| CHE5-05B |
| CHE5-08B |
| CHE5-10B |
| CHE5-15B |
| CHE5-20B |

ComfortStar®

Air Conditioning & Heating Products

RESIDENTIAL LINE PRODUCT

1.5 Tons up to 5 Tons
14.3 and 15.2 SEER2

SEER2



Comfort, it's in our name

E-mail: info@comfortstarusa.com | www.comfortstarusa.com

12201 N. W. 107TH AVENUE, MEDLEY, FL 33178

TOLL FREE: 1-866-524-9898 | PHONE: 305-500-9898 | FAX: 305-500-9896

All rights reserved. Printed in the United States of America. This publication is protected by Copyright and permission must be obtained by eAir, LLC prior to any reproduction or transmission in any form or by any means, electronic, mechanical, photocopying, recording or likewise. Warranty registration is not required in California.

RLP | 2024