

Data sheet

Thermostat

UT



The UT thermostat is a temperature-controlled electric switch with copper capillary and sensor. The temperature can be set easily and accurately using the large knob on the front of the thermostat. The temperature must be set to correspond to the required mean temperature.

Features

- The thermostat has a fixed differential
- Electric connections are made by means of AMP quick connectors
- UT is available for wall or panel mounting, and can be used for: cold rooms, beverage coolers, ice cream makers, milk coolers, refrigerated counters, air-conditioning plant, heat recovery systems

Approvals

- CE-marked in accordance with:
- LVD 2006/95/EC
EN 60730-1-2000)
 - EMC directive 2004/108/EC
(EN 61000-6-3-2002; EN 61000-6-1-2002)

Data sheet | Thermostat, UT
Technical data

Range	-30 – 30 °C / -20 – 85 °F
Ambient temperature	-30 – 55 °C / -20 – 130 °F
Reset	Automatic
Differential	Fixed, 3.0 K
Switch system	Changeover (SPDT) switch
Contact load (max.)	AC-1: 16 A / 250 V
	AC-3: 7.5 A / 250 V
	AC-15: 1 A / 250 V
Capillary tube and sensor	Copper
UT for wall mounting	IP20 to EN 60529 / IEC 529
UT for building in	IP00 to EN 60529 / IEC 529

Ordering

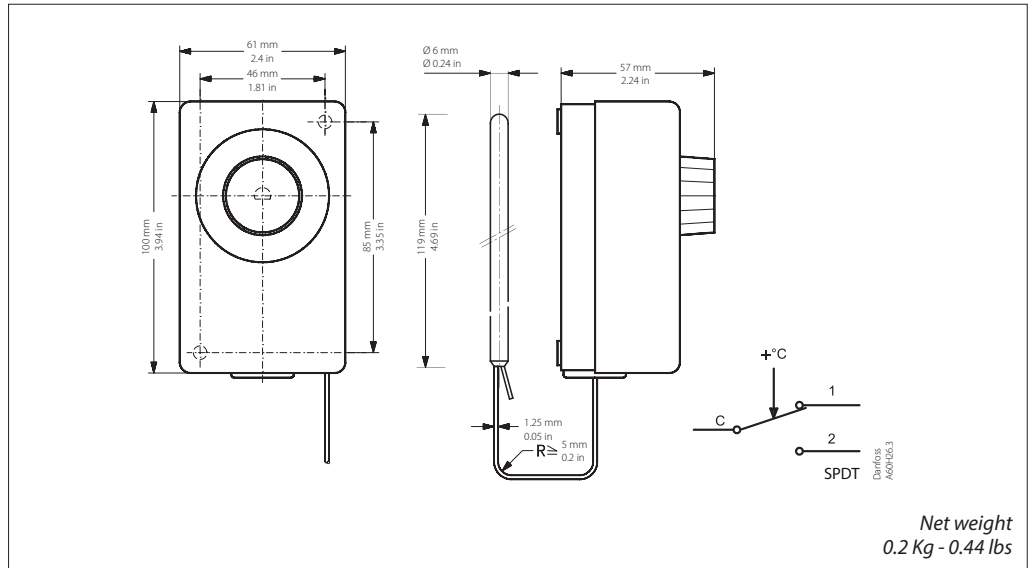
Version	Type	Differential [K]	Reset	Max. sensor temperature		Capillary tube length		Qty.	Code no.
				[°C]	[°F]	[m]	[in]		
Wall mounting	UT 72	3.0	aut.	80	176	3.0	59	1	060H1708
Building in	UT 72	3.0	aut.	80	176	3.0	59	48	060H1805

Accessories

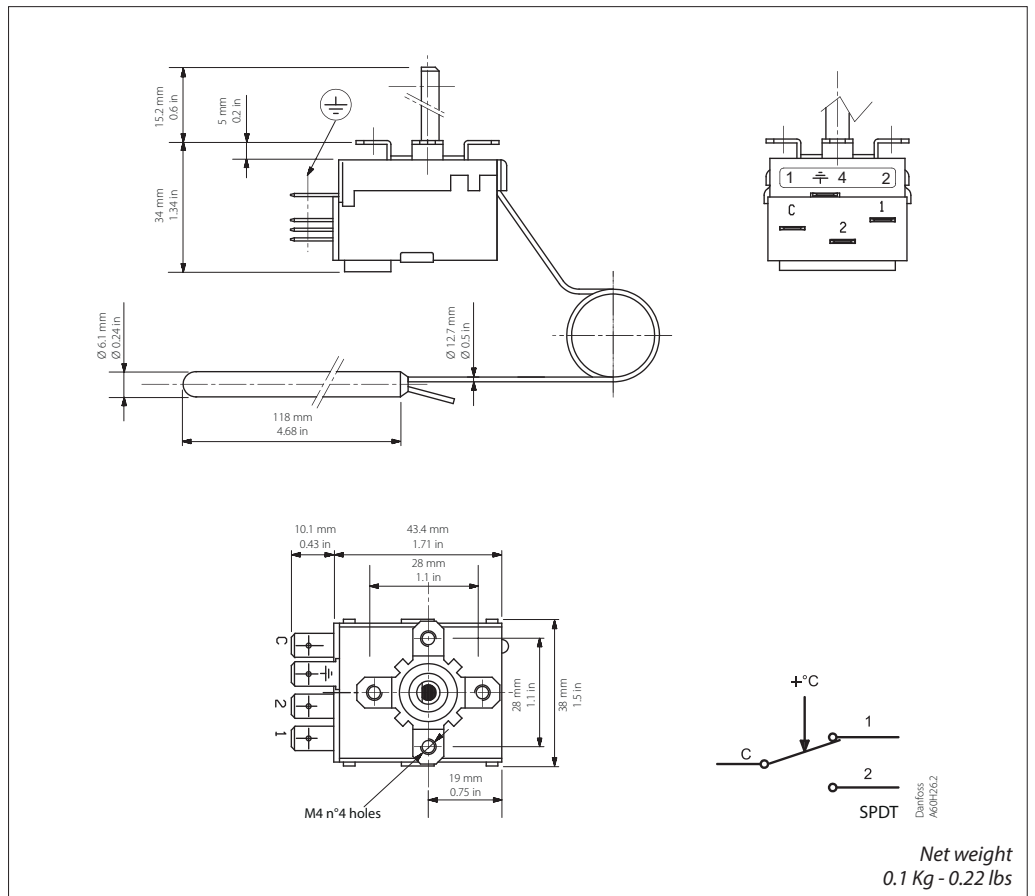
Type	Qty.	Code no.
Setting knobs (-30 – 30 °C / -20 – 85 °F)	48	060-1068

Dimensions [mm/in] and weights [kg/lb]

UT for wall mounting



UT for panel mounting



Danfoss can accept no responsibility for possible errors in catalogues, brochures and other printed material. Danfoss reserves the right to alter its products without notice. This also applies to products already on order provided that such alterations can be made without consequential changes being necessary in specifications already agreed. All trademarks in this material are property of the respective companies. Danfoss and the Danfoss logotype are trademarks of Danfoss A/S. All rights reserved.