


SUBMITTAL DATA SHEET

SC77-1

Location: _____	Approval: _____
Engineer: _____	Date: _____
Submitted to: _____	Construction: _____
Submitted by: _____	Unit #: _____
Reference: _____	Drawing #: _____

COMPRESSOR Model **SC77-1**

Certified UL  **US LISTED**



Specs Data

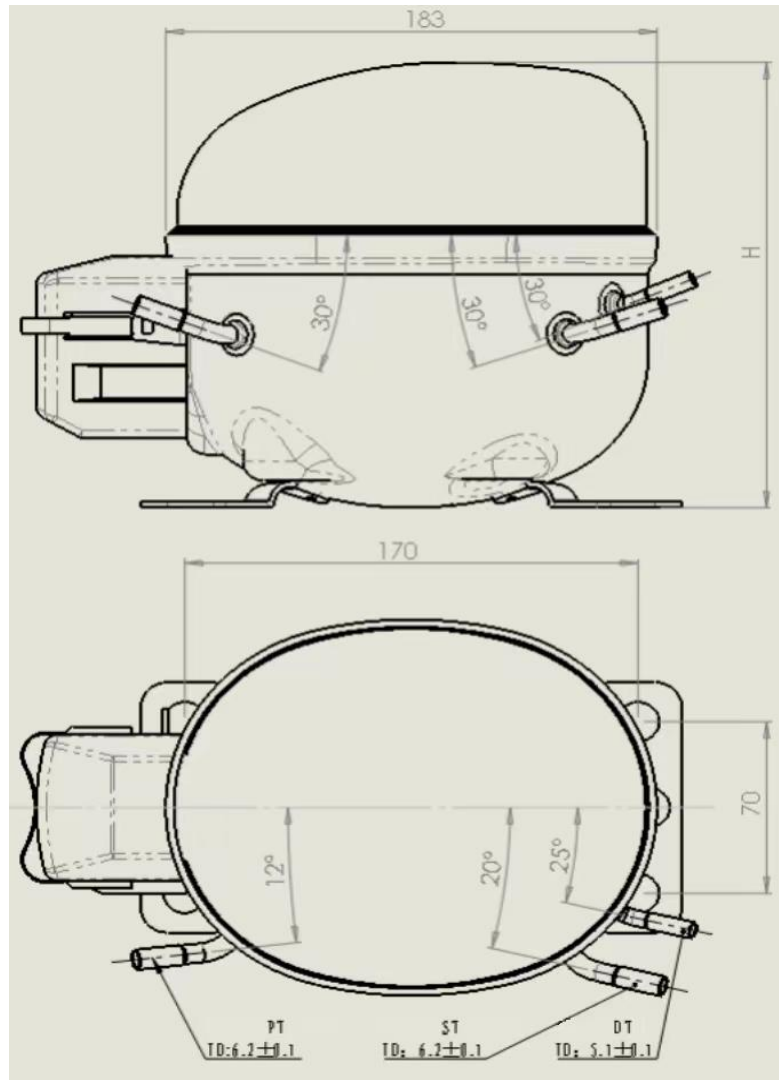
Model: SC77-1
1PH, 60Hz, 110-120V

HP Power		1/3
Displacement	cm ³	8.6
Capacity	W	240
Capacity	Btu/h	819
Input Power	W	178
Curent	A	2.60
COP	W/W	1.35
Motor Type		CSIR
Starting Device		PTC Starting Relay
Cooling		ST
Certificate		UL
Evaporating Temp Range	°C	-35~15
Refrigeration Control		CAPILLARY
Refrigerant		R134a

Main Structure

Compressor Type	HERMTIC MOTOR-COMPRESSOR	
Pump Type	RECIPROCATING TYPE	
Oil Type	22#	
Oil Charge	ml	180
Painting	BLACK PAINT, BAKED	
Net Weight	kg	8
ID OF Suction Tube	Ø6.2±0.1	
ID OF Discharge Tube	Ø5.1±0.1	
ID OF Process Tube	Ø6.2±0.1	
Residual Impurities	mg	80 MAX
Residual Moisture	mg	100 MAX
Motor		
Starting Type	CSIR(PTC)	
Voltage Range	V	93~120
Insulation Grade	B GRADE	
Locked Rotor	A	18

Dimensions



Height value of compressor: $H=181\pm 2\text{mm}$